

Crestron **TSW-550/750/1050-TTK** & **TSW-550/750/1050-SMK**

Table Top and Swivel Mount Kits

Installation Guide



The specific patents that cover Crestron products are listed at patents.crestron.com.

Crestron and the Crestron logo are either trademarks or registered trademarks of Crestron Electronics, Inc. in the United States and/or other countries. Other trademarks, registered trademarks and trade names may be used in this document to refer to either the entities claiming the marks and names or their products. Crestron disclaims any proprietary interest in the marks and names of others. *Crestron is not responsible for errors in typography or photography.*

This document was written by the Technical Publications department at Crestron.
©2013 Crestron Electronics, Inc.

Contents

TableTop and Swivel Mount Kits: TSW-550/750/1050-TTK & TSW-550/750/1050-SMK	1
Introduction	1
Specifications	2
Physical Description	5
Setup	8
Supplied Hardware	8
Installation	10
Resources	21
Further Inquiries	21
Future Updates	21
Return and Warranty Policies	22
Merchandise Returns / Repair Service	22
Crestron Limited Warranty	22

TableTop and Swivel Mount Kits: TSW-550/750/1050-TTK & TSW-550/750/1050-SMK

Introduction

The TSW-550-TTK, TSW-750-TTK and TSW-1050-TTK provide stylish and convenient tabletop enclosures for Crestron® TSW-550, TSW-750 and TSW-1050 Touch Screens (respectively). The touch screen is angled when installed in the enclosure. The complete assembly may be placed on any flat, level surface.

An optional swivel mount accessory (TSW-550/750/1050-SMK) is available separately, providing a means for permanently mounting the enclosure while retaining the ability to rotate it for optimal positioning. The swivel range can be customized using optional limit screws, with a maximum of 330 degree rotation allowed. The swivel mount may be installed on any flat table, desk or countertop surface with a thickness of 1" (25 mm) minimum to 1 3/8" (35 mm) maximum.

Wiring may be routed through the bottom for a very clean, cordless appearance or passed out the rear of the enclosure through a grommet and strain relief. The rear wire opening can accommodate a single cable up to 1/4" (6 mm) diameter such as standard CAT5. The bottom opening measures 29/32" (23 mm) diameter, while the swivel mount* can accommodate a bundle of wires up to 11/16" (17 mm) diameter.

The TSW-550-TTK, TSW-750-TTK and TSW-1050-TTK are functionally identical. For simplicity within this guide, the term "TSW-550/750/1050-TTK" is used except where noted.

* TSW-550/750/1050-SMK Swivel Mount Kit sold separately.

Specifications

Specifications for the TSW-550/750/1050-TTK are listed in the following table.

TSW-550/750/1050-TTK Specifications

SPECIFICATION	DETAILS
Enclosure	Plastic, black or white; 38° fixed angle device opening; freestanding or swivel mount installation*
Dimensions	
TSW-550-TTK	
Height	3.11 in (79 mm); 3.24 in (82 mm) with swivel mount
Width	5.57 in (142 mm)
Depth	3.72 in (94 mm)
TSW-550-TTK (with TSW-550 installed)	
Height	3.64 in (92 mm); 3.77 in (95 mm) with swivel mount
Width	5.65 in (144 mm)
Depth	4.07 in (104 mm)
TSW-750-TTK	
Height	3.25 in (83 mm); 3.38 in (86 mm) with swivel mount
Width	7.18 in (183 mm)
Depth	4.15 in (106 mm)

(Continued on following page)

TSW-550/750/1050-TTK Specifications (Continued)

SPECIFICATION	DETAILS
Dimensions (Continued)	
TSW-750-TTK (with TSW-750 installed)	
Height	3.79 in (97 mm); 3.92 in (100 mm) with swivel mount
Width	7.59 in (193 mm)
Depth	4.43 in (113 mm)
TSW-1050-TTK	
Height	4.01 in (102 mm); 4.14 in (105 mm) with swivel mount
Width	7.91 in (201 mm)
Depth	5.37 in (136 mm)
TSW-1050-TTK (with TSW-1050 installed)	
Height	4.79 in (122 mm); 4.92 in (125 mm) with swivel mount
Width	10.13 in (258 mm)
Depth	5.84 in (149 mm)
Available Models	
TSW-550-TTK-B-S	TableTop Kit for TSW-550, Black Smooth
TSW-550-TTK-W-S	TableTop Kit for TSW-550, White Smooth
TSW-750-TTK-B-S	TableTop Kit for TSW-750, Black Smooth
TSW-750-TTK-W-S	TableTop Kit for TSW-750, White Smooth

(Continued on following page)

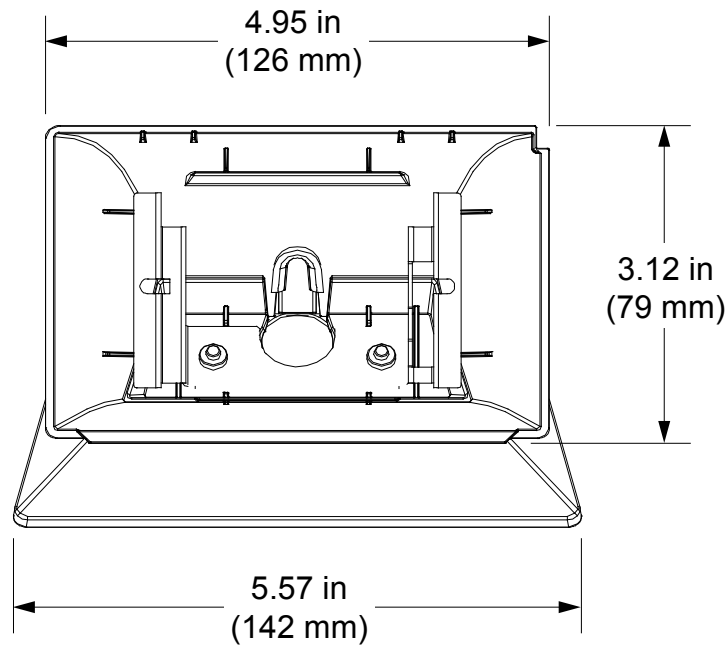
TSW-550/750/1050-TTK Specifications (Continued)

SPECIFICATION	DETAILS
Available Models (Continued) TSW-1050-TTK-B-S TSW-1050-TTK-W-S	TableTop Kit for TSW-1050, Black Smooth TableTop Kit for TSW-1050, White Smooth
Available Accessory TSW-550/750/1050-SMK	Swivel Mount Kit for TSW-550-TTK, TSW-750-TTK & TSW-1050-TTK

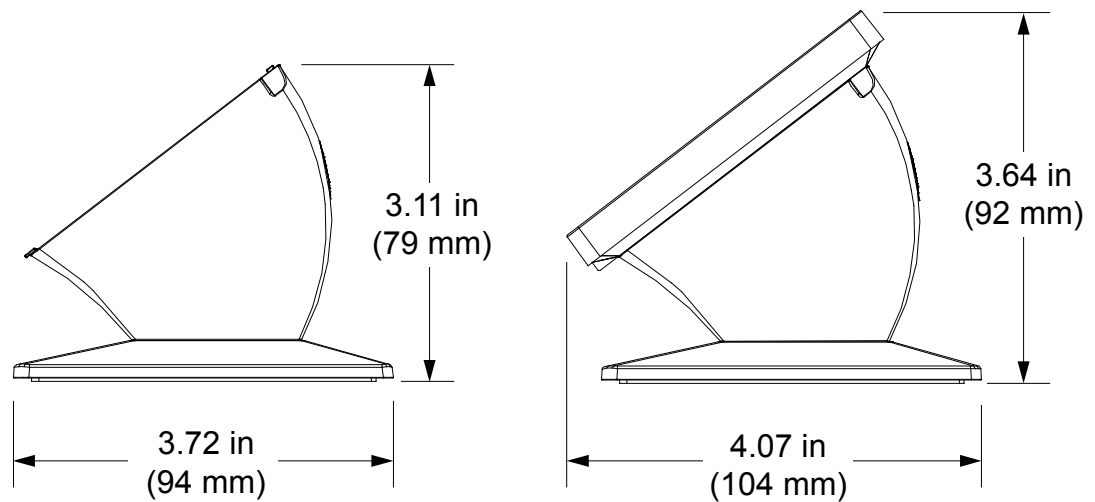
* TSW-550/750/1050-SMK Swivel Mount Kit sold separately.

Physical Description

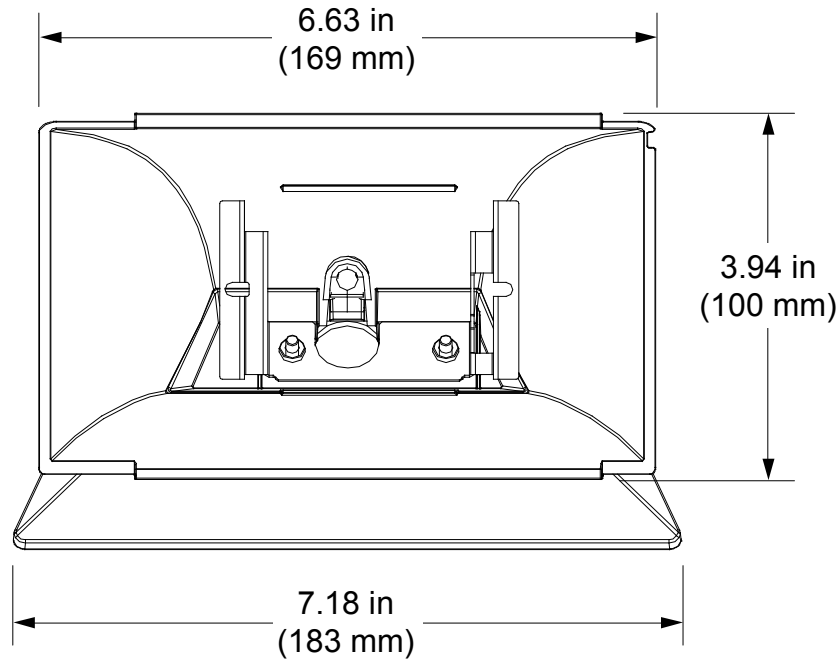
TSW-550-TTK Overall Dimensions (Front View)



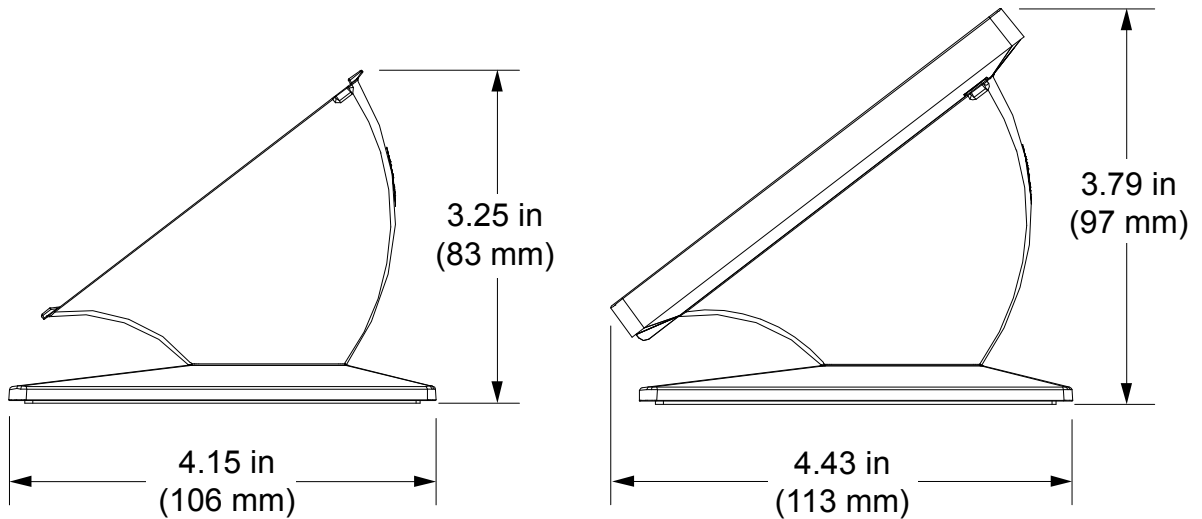
TSW-550-TTK Overall Dimensions (Side View, Shown Without and With TSW-550 Installed)



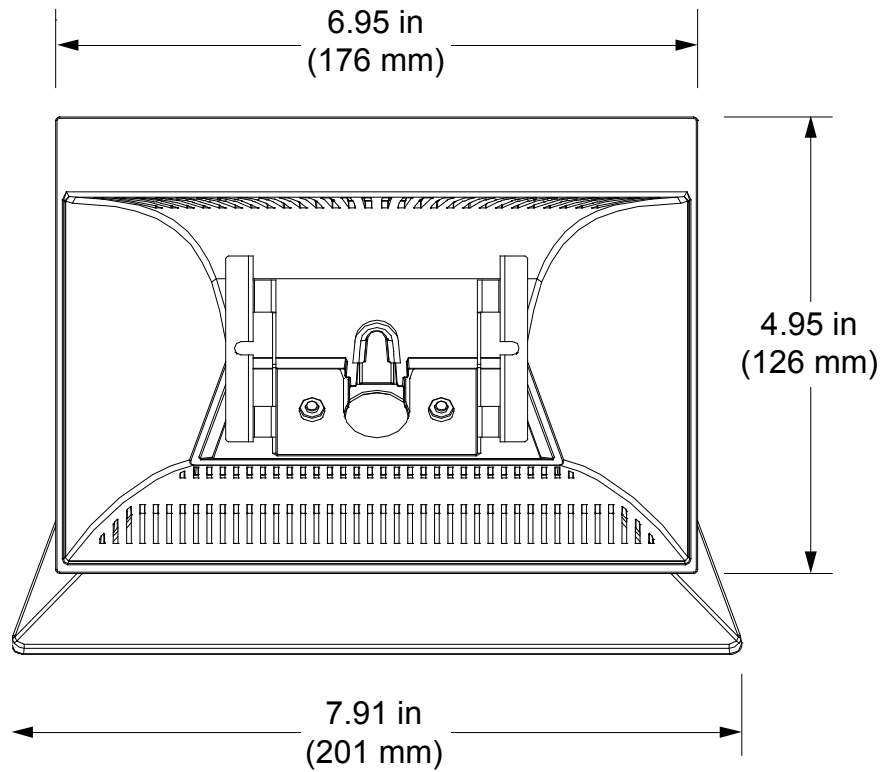
TSW-750-TTK Overall Dimensions (Front View)



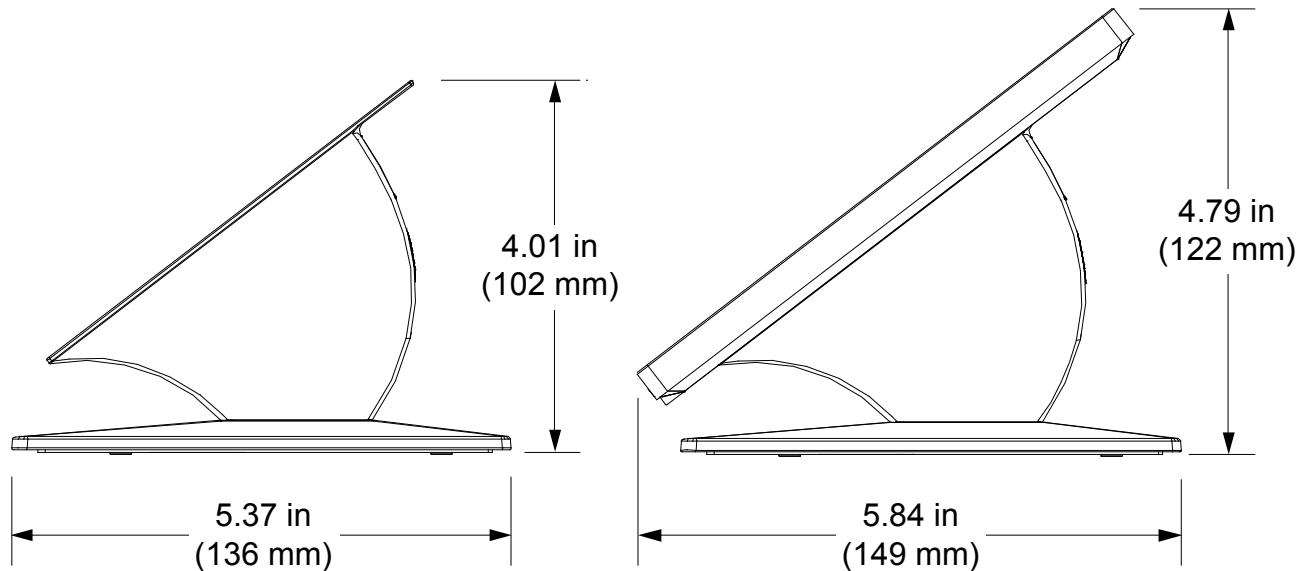
***TSW-750-TTK Overall Dimensions
(Side View, Shown Without and With TSW-750 Installed)***



TSW-1050-TTK Overall Dimensions (Front View)



***TSW-1050-TTK Overall Dimensions
(Side View, Shown Without and With TSW-1050 Installed)***



Setup

Supplied Hardware

The hardware supplied with the TSW-550/750/1050-TTK is listed in the following table.

Supplied Hardware for the TSW-550/750/1050-TTK

DESCRIPTION	PART NUMBER	QUANTITY
Plastic, Strain Relief, Black ¹	2033955	1
Plastic, Strain Relief, Gray ²	2033954	1
Overlay, Template, Table Cutout	4517324	1
Screw, #04-20 x 5/8"	2007139	2

1. This part comes with TSW-550/750/1050-TTK-B-S (Black).
2. This part comes with TSW-550/750/1050-TTK-W-S (White).

The hardware supplied with the TSW-550/750/1050-SMK is listed in the following table.

Supplied Hardware for the TSW-550/750/1050-SMK

DESCRIPTION	PART NUMBER	QUANTITY
Assembly, Swivel Stop Plate and Screw	4504353	1
Metal Washer, Keyed, Swivel Stop	4506321	1
Cork/Rubber Washer, Custom, Swivel	2017614	1
Rubber Washer, Custom, Swivel	2017615	1
Felt Washer, Die-Cut with Adhesive	2024711	1
Screw, #08-32 x 1/8", Steel, Socket Head	2017634	2
Washer, Flat Steel, 7/8-A, Narrow, 15/16" Inner Diameter, 1.75" Outer Diameter, 0.134" Thick	2017633	1
Nut, #7/8"-14, 1 15/16" Hex Diameter, 31/64" H, Steel, Zinc	2017632	1
Screw, #08-8B x 1/2", Steel, Pan, Phil	2017784	6
Screw, #06-32 x 3/16", Steel, Flat, Phil, Zinc	2007202	3
Overlay, Template, Table Cutout	4517324	1

Installation

To attach a TSW-550, TSW-750 or TSW-1050 touch screen to the TSW-550/750/1050-TTK and mount it using the optional swivel mount kit, refer to the following procedures.

Preparing the TSW-550/750/1050-TTK

The TSW-550/750/1050-TTK comes with parts for routing device cabling through either the back of the unit or through the bottom for a neat appearance.

Cable Routing Through Bottom of TSW-550/750/1050-TTK

Out of the box, the TSW-550/750/1050-TTK comes with a plastic cover on the rear of the unit, allowing the LAN cable to pass out through the bottom, such as when the TSW-550/750/1050-TTK is attached to the TSW-550/750/1050-SMK Swivel Mount Kit (sold separately).

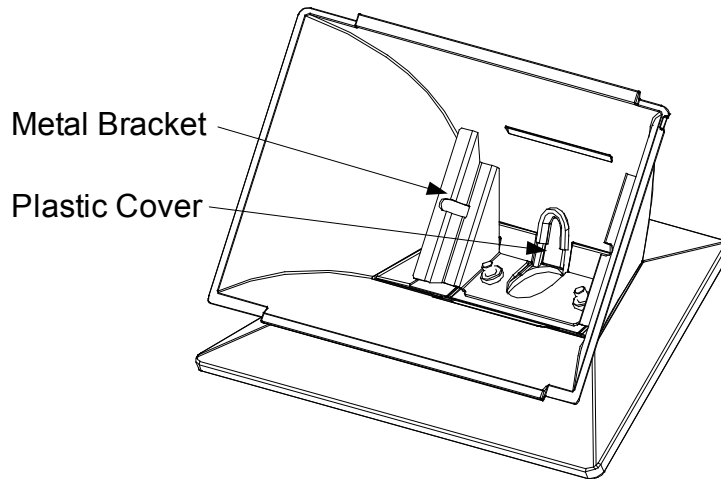
Cable Routing Through Rear of TSW-550/750/1050-TTK

For routing a single CAT5 cable through the rear of the TSW-550/750/1050-TTK, the plastic cover on the rear must be replaced with the strain relief (2033955 on black models or 2033954 on white models) that is included with the TSW-550/750/1050-TTK.

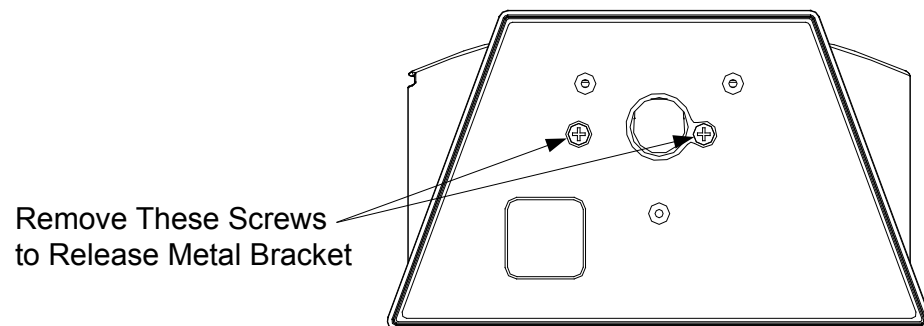
To replace the plastic cover with the strain relief, perform the following procedure:

1. Before the plastic cover can be removed, the metal bracket inside the TSW-550/750/1050-TTK must be removed. It is held in place by two screws entering the bottom of the unit. Remove these screws, then remove the metal bracket. Refer to the following illustrations.

TSW-550/750/1050-TTK Showing Metal Bracket and Plastic Cover (TSW-750-TTK Shown)

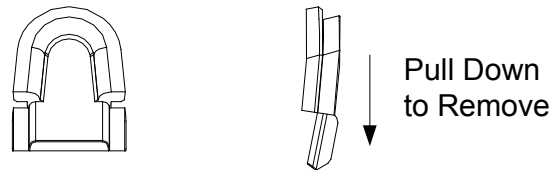


TSW-550/750/1050-TTK Bottom View Showing Location of Screws (TSW-750-TTK Shown)



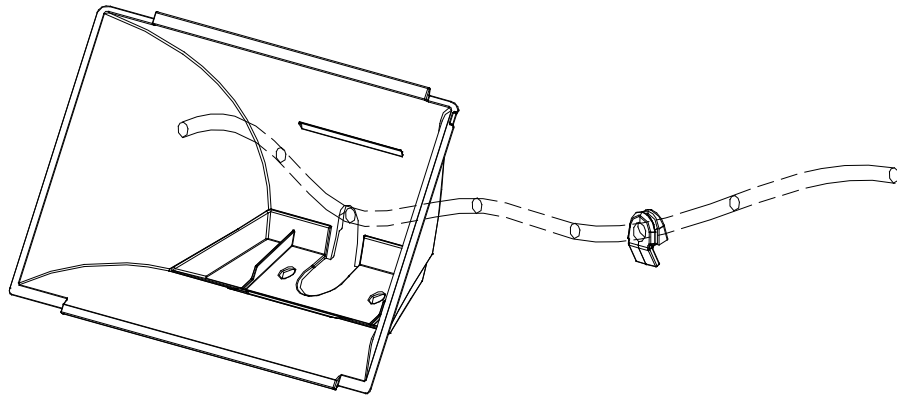
2. With the metal bracket removed, pull downward on the plastic cover to remove it from the TSW-550/750/1050-TTK.

Plastic Cover (Front and Side Views)



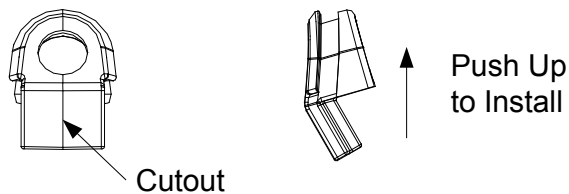
3. Insert the LAN cable through the opening on the rear of the TSW-550/750/1050-TTK and attach the strain relief (2033955 on black models or 2033954 on white models) to the cable, as shown in the following illustration. There is a cutout in the strain relief to ease installation onto the LAN cable.

Strain Relief on Inserted LAN Cable

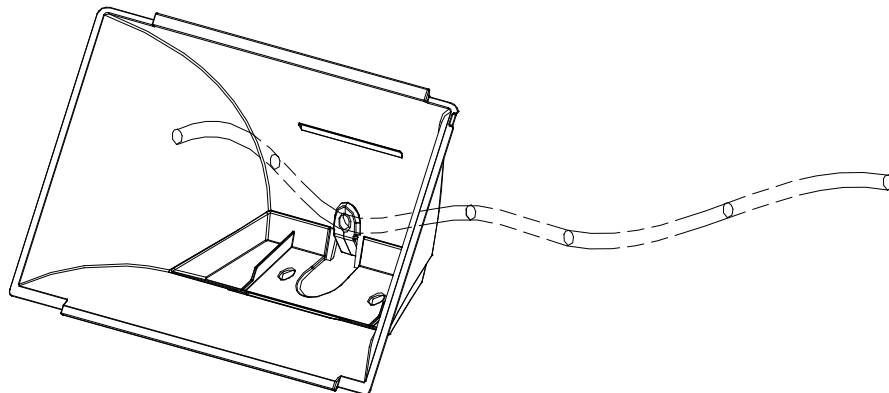


4. Attach the strain relief to the TSW-550/750/1050-TTK by pushing it upward into the slot on the rear of the TSW-550/750/1050-TTK, as shown in the following illustrations.

Strain Relief (Front and Side Views)



Strain Relief with LAN Cable, Shown Attached to TSW-750-TTK



NOTE: For added security in mounting the touch screen to the TSW-550/750/1050-TTK refer to “Using the Security Option” which starts on page 18. Follow that procedure from this point. For standard mounting, continue with the steps below.

5. Re-install the metal bracket using the screws removed in step 1. Refer to the illustrations at the top of page 11.

6. Connect the LAN cable to the TSW-550, TSW-750 or TSW-1050 and gently pull excess cable out through the rear of the TSW-550/750/1050-TTK to ensure the touch screen seats completely into the TSW-550/750/1050-TTK and that its magnets engage the metal bracket.

Mounting the Touch Screen in the TSW-550/750/1050-TTK

To mount the touch screen in the TSW-550/750/1050-TTK, simply place the unit into the TSW-550/750/1050-TTK. The magnets on the rear of the touch screen engage the metal contacts in the TSW-550/750/1050-TTK.

When using the security option (refer to “Using the Security Option” which starts on page 18) the touch screen is “locked” into position.

TSW-550/750/1050-SMK Assembly

Routing the Cables

For new installations or to change an existing one, refer to the sections called out in the following two paragraphs.

To route the LAN cable through the bottom of the TSW-550/750/1050-TTK, use the already mounted plastic cover. Refer to “Cable Routing Through Bottom of TSW-550/750/1050-TTK” on page 10.

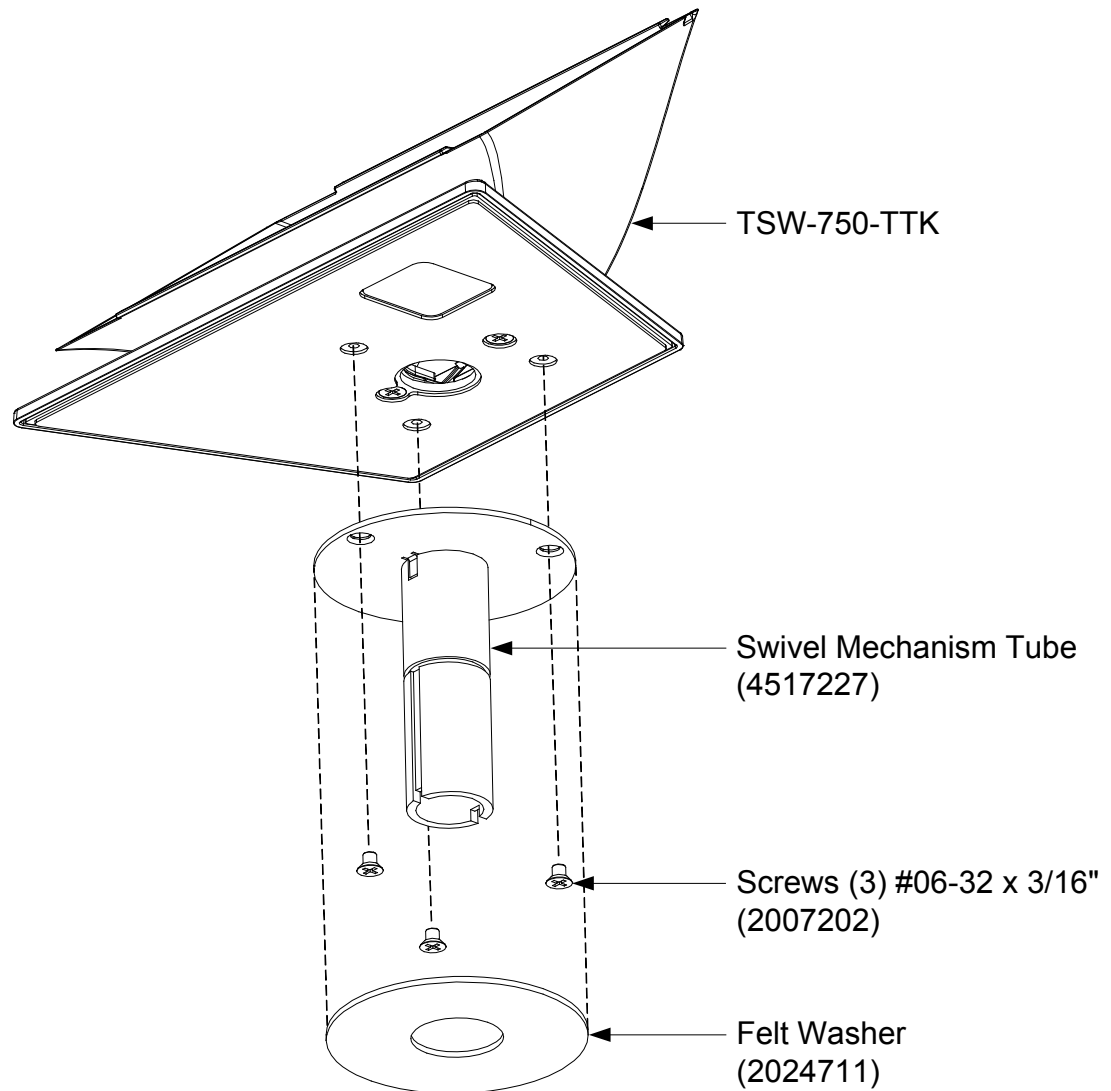
To have the cable exit through the rear of the TSW-550/750/1050-TTK, refer to “Cable Routing Through Rear of TSW-550/750/1050-TTK” which starts on page 10.

Assembling the Swivel Mount

To assemble the swivel mount, perform the following procedure:

1. Attach and secure the swivel mechanism tube (4517277) to the bottom of the TSW-550/750/1050-TTK using the three #06-32 x 3/16” screws (2007202) included with the TSW-550/750/1050-SMK, as shown in the illustration on the following page.

***Attaching Swivel Mechanism Tube to TSW-550/750/1050-TTK
(TSW-750-TTK Shown)***



2. Remove the paper liner from the felt washer (2024711) and attach the washer to the bottom of the swivel mechanism tube (4517227), as shown in the illustration above.
3. If cables are routed to exit through the bottom of the TSW-550/750/1050-TTK, feed the full length of the cable through the swivel mechanism tube.
4. Prepare the mounting surface using the template (4517324) provided with the kit. The center hole diameter for the swivel mechanism tube should be 7/8" (22 mm) minimum, 15/16" (24 mm) maximum. Position the template so the edge indicated as the front edge of the table or surface aligns with the desired front

position of the TSW-550/750/1050-TTK. Observe the dashed line indicating the front edge of the TSW-550/750/1050-TTK to ensure the device does not overhang the mounting surface.

5. Using the six mounting holes on the swivel stop plate (4504353) as a template, drill pilot holes 0.093" (2 mm) minimum, 0.115" (3 mm) maximum diameter and no deeper than 0.35" (9 mm). Attach the swivel stop plate to the bottom of the mounting surface using the six #08-8B x 1/2" screws (2017784) provided with the kit. Pass the swivel mechanism tube down through the mounting hole and stop plate.

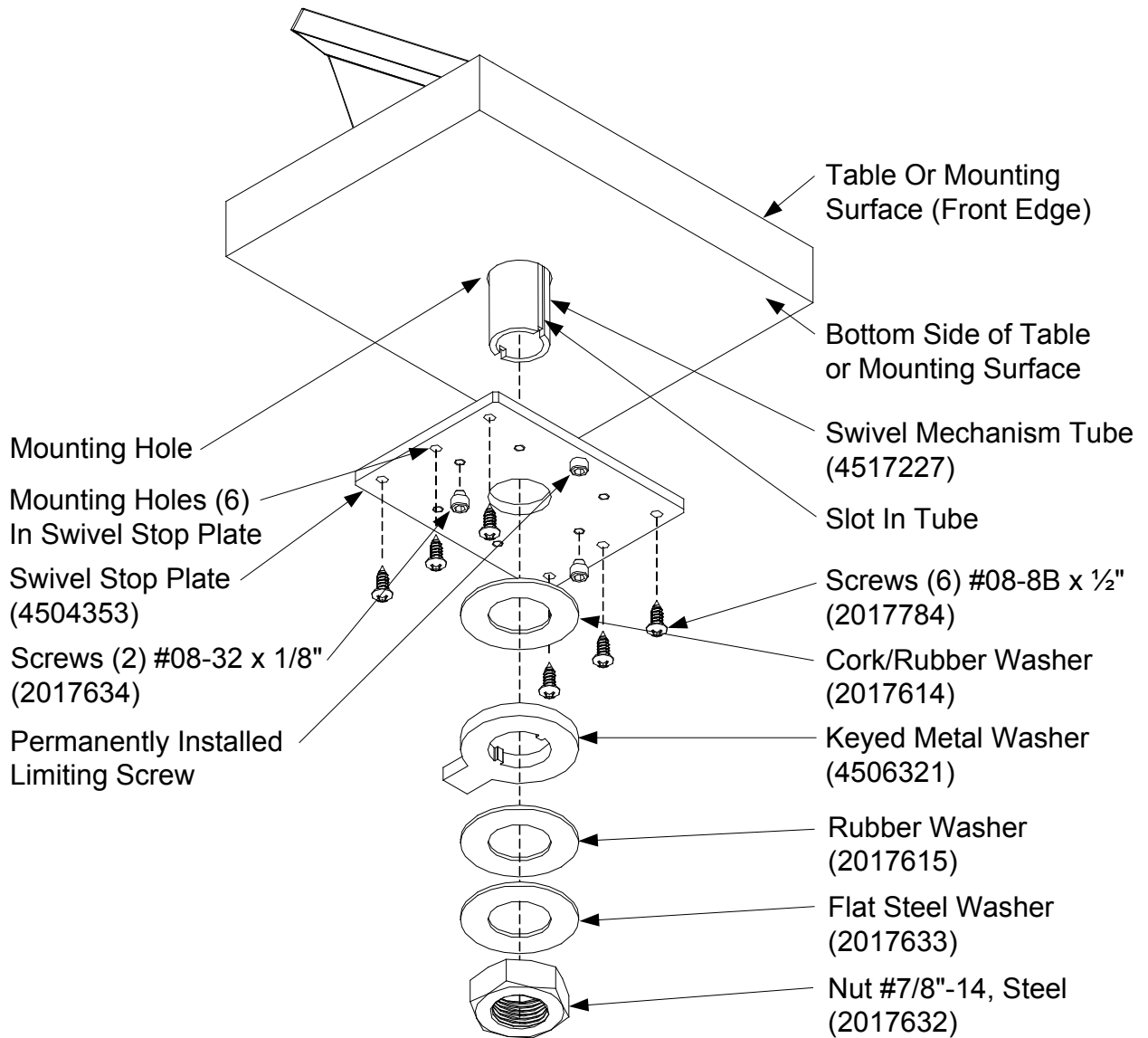
NOTE: The swivel stop plate has a permanently installed limiting screw to prevent the swivel mechanism from spinning continuously in one direction and tangling the cable attached to the touch screen.

6. Slide the provided hardware up onto the swivel tube in the order indicated in the illustration on the following page.

NOTE: The keyed metal washer (4506321) fits onto the swivel mechanism tube in one of two orientations. Orient the tab on the washer to face away from the permanently installed limiting screw in the swivel stop plate.

7. Tighten and adjust the provided #7/8"-14 nut (2017632) onto the swivel tube to achieve the desired resistance in swivel assembly motion. A flat tool (such as a large flat head screwdriver) may be used in the slot on the bottom of the swivel mechanism tube to hold the tube still while tightening the nut.

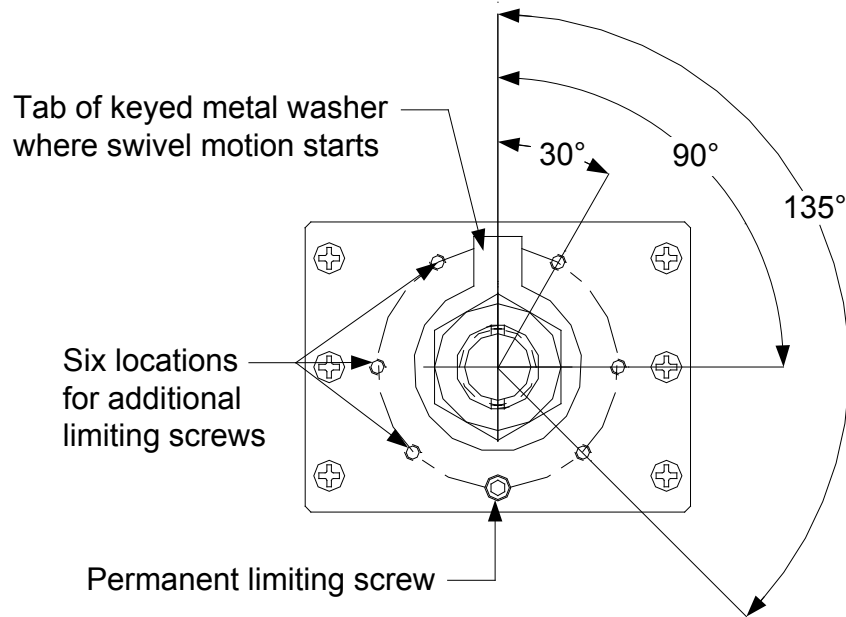
Swivel Mechanism Assembly



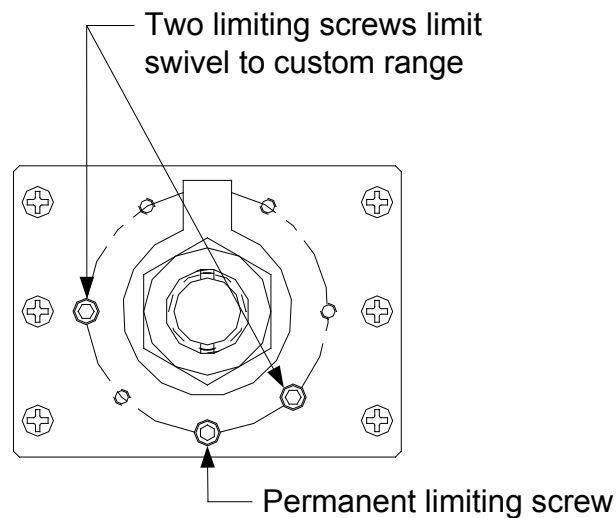
Customize Range

Aside from the permanently installed limiting screw attached to the swivel stop plate, two additional #08-32 x 1/8" limiting screws (2017634) are included with the TSW-550/750/1050-SMK. These screws are provided to set a custom range for swivel movement. Refer to the following illustrations for their application.

Swivel Stop Plate with Permanent Limiting Screw



Swivel Stop Plate with Additional Limiting Screws



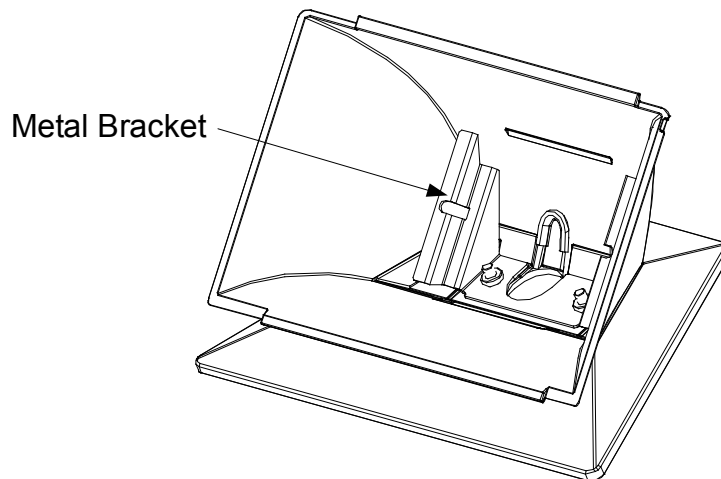
Using the Security Option

For secure applications, the touch screen can be “locked” to the TSW-550/750/1050-TTK using the two #04-20 x 5/8” screws (2007139) included with each unit.

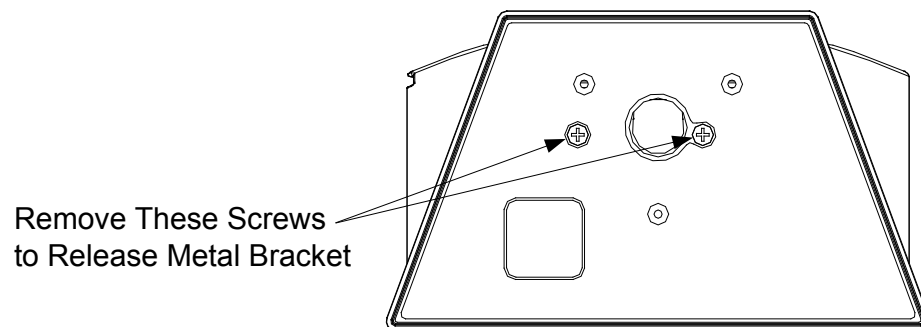
To use the security option, perform the following procedure:

1. Remove the metal bracket inside the TSW-550/750/1050-TTK. It is held in place by two screws entering the bottom of the unit. Remove these screws, then remove the metal bracket. Refer to the following illustrations.

TSW-550/750/1050-TTK Showing Metal Bracket (TSW-750-TTK Shown)



TSW-550/750/1050-TTK Bottom View Showing Location of Screws (TSW-750-TTK Shown)

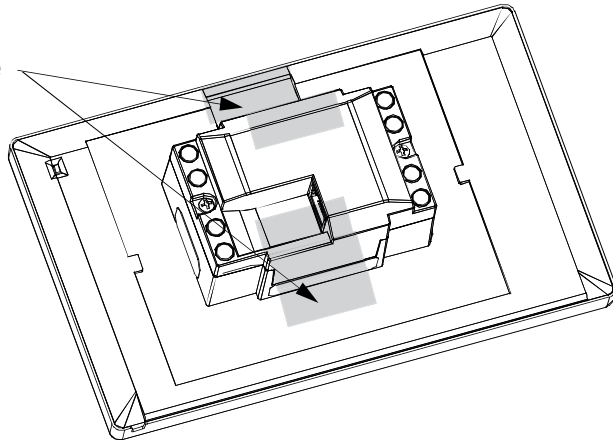


2. In the next step, the metal bracket is attached to the back of the touch screen. To proceed, place the touch screen, face down, on a clean, soft surface.

NOTE: Before performing the following step, place tape on the back of the touch screen, as shown in the following illustration. The rear assembly must be held in place during the rest of this procedure.

Use Tape to Hold Rear Assembly in Place

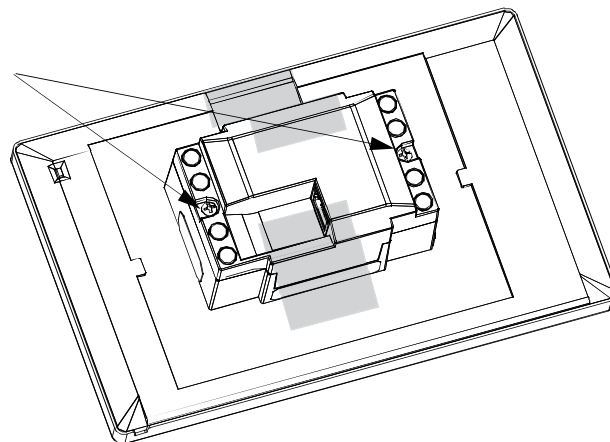
Apply Tape to Hold
Rear Assembly in Place



3. Remove the two 1/2" long screws from the rear assembly. Refer to the following illustration. Save these two screws for use if a return to the original configuration is desired.

Remove Screws From Rear Assembly

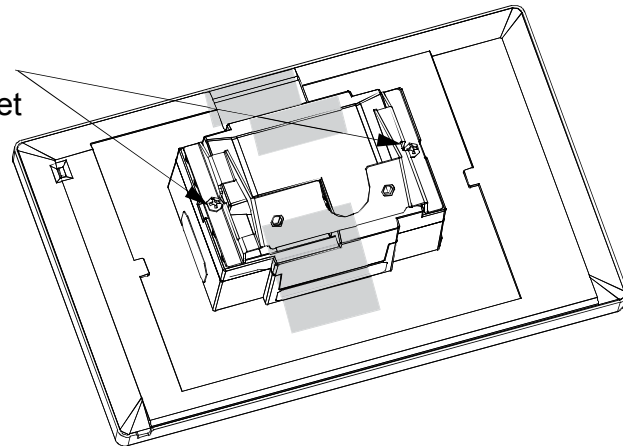
Remove Screws



4. Place the metal bracket from step 1, in position on the rear assembly of the touch screen, ensuring it is correctly oriented (right side up) and attach it using the two #04-20 x 5/8" screws (2007139) included with the TSW-550/750/1050-TTK. To prevent damage to threads, back off each screw until it engages the thread. Then tighten to 3 in/lb. Refer to the following illustration.

Attach Metal Bracket to Rear Assembly of Touch Screen

Use Included
#04-20 x 5/8" Screws
to Attach Metal Bracket



5. Remove the tape attached before performing step 3.
6. With the touch screen still face down on the clean, soft surface, connect the LAN cable routed through the TSW-550/750/1050-TTK to the touch screen and gently pull excess cable out through the rear of the TSW-550/750/1050-TTK to ensure the touch screen seats completely into the TSW-550/750/1050-TTK.
7. Place the TSW-550/750/1050-TTK in position over the rear of the touch screen. Then re-attach the bottom of the TSW-550/750/1050-TTK using the two screws removed in step 1.

Resources

Further Inquiries

To locate specific information or resolve questions after reviewing this guide, contact Crestron's True Blue Support at 1-888-CRESTRON [1-888-273-7876] or refer to the listing of Crestron worldwide offices on the Crestron Web site (www.crestron.com/offices) for assistance within a particular geographic region.

To post a question about Crestron products, log onto the Online Help section of the Crestron Web site (www.crestron.com/onlinehelp). First-time users must establish a user account to fully benefit from all available features.

Future Updates

As Crestron improves functions, adds new features and extends the capabilities of the TSW-550/750/1050-TTK & TSW-550/750/1050-SMK, additional information may be made available as manual updates. These updates are solely electronic and serve as intermediary supplements prior to the release of a complete technical documentation revision.

Check the Crestron Web site periodically for manual update availability and its relevance. Updates are identified as an “Addendum” in the Download column.

Return and Warranty Policies

Merchandise Returns / Repair Service

1. No merchandise may be returned for credit, exchange or service without prior authorization from Crestron. To obtain warranty service for Crestron products, contact an authorized Crestron dealer. Only authorized Crestron dealers may contact the factory and request an RMA (Return Merchandise Authorization) number. Enclose a note specifying the nature of the problem, name and phone number of contact person, RMA number and return address.
2. Products may be returned for credit, exchange or service with a Crestron Return Merchandise Authorization (RMA) number. Authorized returns must be shipped freight prepaid to Crestron, 6 Volvo Drive, Rockleigh, N.J. or its authorized subsidiaries, with RMA number clearly marked on the outside of all cartons. Shipments arriving freight collect or without an RMA number shall be subject to refusal. Crestron reserves the right in its sole and absolute discretion to charge a 15% restocking fee plus shipping costs on any products returned with an RMA.
3. Return freight charges following repair of items under warranty shall be paid by Crestron, shipping by standard ground carrier. In the event repairs are found to be non-warranty, return freight costs shall be paid by the purchaser.

Crestron Limited Warranty

Crestron Electronics, Inc. warrants its products to be free from manufacturing defects in materials and workmanship under normal use for a period of three (3) years from the date of purchase from Crestron, with the following exceptions: disk drives and any other moving or rotating mechanical parts, pan/tilt heads and power supplies are covered for a period of one (1) year; touch screen display and overlay components are covered for 90 days; batteries and incandescent lamps are not covered.

This warranty extends to products purchased directly from Crestron or an authorized Crestron dealer. Purchasers should inquire of the dealer regarding the nature and extent of the dealer's warranty, if any.

Crestron shall not be liable to honor the terms of this warranty if the product has been used in any application other than that for which it was intended or if it has been subjected to misuse, accidental damage, modification or improper installation procedures. Furthermore, this warranty does not cover any product that has had the serial number altered, defaced or removed.

This warranty shall be the sole and exclusive remedy to the original purchaser. In no event shall Crestron be liable for incidental or consequential damages of any kind (property or economic damages inclusive) arising from the sale or use of this equipment. Crestron is not liable for any claim made by a third party or made by the purchaser for a third party.

Crestron shall, at its option, repair or replace any product found defective, without charge for parts or labor. Repaired or replaced equipment and parts supplied under this warranty shall be covered only by the unexpired portion of the warranty.

Except as expressly set forth in this warranty, Crestron makes no other warranties, expressed or implied, nor authorizes any other party to offer any warranty, including any implied warranties of merchantability or fitness for a particular purpose. Any implied warranties that may be imposed by law are limited to the terms of this limited warranty. This warranty statement supersedes all previous warranties.

This page is intentionally left blank.



Crestron Electronics, Inc.
15 Volvo Drive Rockleigh, NJ 07647
Tel: 888.CRESTRON
Fax: 201.767.7576
www.crestron.com



Installation Guide – DOC. 7411C
(2034170)
02.13

Specifications subject to
change without notice.