

c. Re-install washer and bolt onto end of bolt and tighten down using a 7/16" socket head wrench until secure (per instructions with wall anchor).

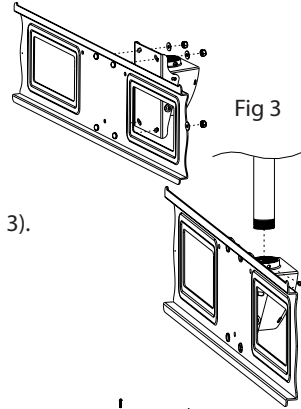
**WARNING: Tighten nuts so that ceiling plate is firmly attached, but do not over tighten. Over tightening can damage the bolts, greatly reducing their holding strength.**

d. Install Ceiling Plate Covers over ends of Ceiling Plate (optional).

### Step 3: Attach the Mount Head

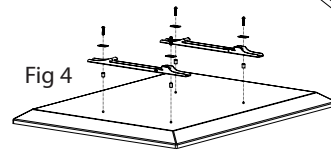
a. Attach Wall Plate onto Mount Head by inserting through-bolts on Wall Plate through angled slots in Mounting Head. Place M8 Washers and Nylock Nuts on end of through bolts and tighten down (Fig 3).

b. Screw Mount Head on to end of extension pole and tighten set screws.



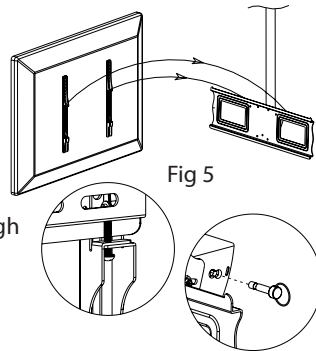
### Step 4: Attach the TV Arms to the Display

a. Attach the TV Arms to the display using M4, M5, M6, or M8 screws. For displays with a hole pattern in a pocket or inputs behind TV Arms, spacers go behind TV Arms and display (Fig 4).



### Step 5: Attaching the TV Arms with Display to Ceiling Mount Assembly

a. Place TV Arms with Display onto Wall Plate and tighten security screws at the bottom of each TV Arm and insert Locking Pin to hold tilt (Fig 5).



## ADJUSTMENTS

### Adjust Tilt and Horizontal Level

#### Tilt Adjustment

- Loosen screws on side of mount head. (Only enough to allow controlled adjustment)
- Adjust Tilt
- Tighten screws on side of mount head to hold tilt.

#### Horizontal Level Adjustment (Roll)

- Slightly loosen all 4 Nylock Nuts behind Wall Plate only to allow movement of wall plate. Using the corners of the TV, adjust left/right until level. Re-tighten all Nylock Nuts. **WARNING: Completely loosening and/or removing nuts may cause plate and/or TV to fall causing serious injury.**



Lifetime Limited Warranty  
Strong™ Mounts have a Lifetime Limited Warranty. This warranty includes parts and labor repairs on all components found to be defective in material or workmanship under normal conditions of use. This warranty shall not apply to products which have been abused, modified or disassembled. Products to be repaired under this warranty must be returned to SnapAV or a designated service center with prior notification and an assigned return authorization number (RA).

For Technical Support call 1.866.838.5052

100823

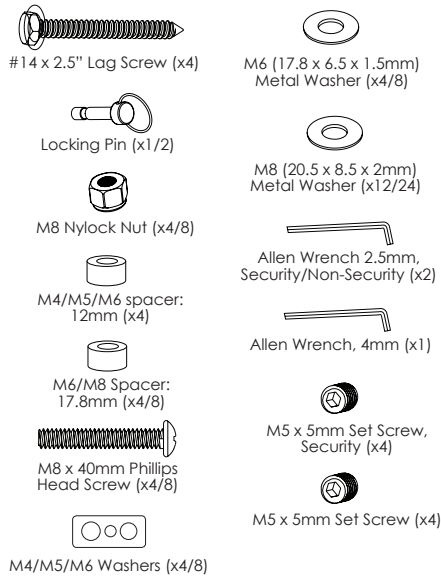
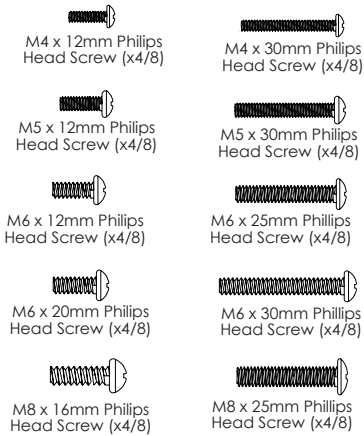
# SM-CEILING-T-L SM-CEILING-DT-L

Strong™ Large Ceiling Mount and Dual Ceiling Mount  
for 36-60 in. Flat Panel TVs (Black)



engineered by  
Snap  
av

## HARDWARE KIT (T/DT)



## WARNINGS

- We highly recommend this product be installed by a qualified professional.
- Please do not begin installation until you have thoroughly read and understood these instructions.
- This mount supports display mounting from 36" to 60", VESA 200x200 up to 700x500, and supports a maximum load of 175 lbs (79.5 kg).
- Ensure the wall that you plan to use will safely support four times the combined weight of the mount and your chosen display.
- Under no circumstances should this product be mounted to metal studs.
- The manufacturer does not accept responsibility for incorrect installation.

## BOX CONTENTS (T/DT):

- Ceiling Plate (1)
- Ceiling Plate Covers (2)
- Mount Head (1)
- Wall Plate (1/2)
- TV Arms (2/4)
- Hardware kit (1)
- 3' Fixed Extension Pole (1)

## TOOLS REQUIRED

- Power Drill
- 3/16" (5mm) Drill Bit
- 5/16" (8mm) Masonry Bit
- 3/8" & 13mm Socket Head Wrench
- Phillips Head Screw Driver
- 7/16" Socket Head Wrench

## SPECIFICATIONS

- Maximum Load: 175 lbs. (79.5 kg)
- Display Size: 36" to 60"
- Extension: 3'
- Pan/Swivel Range: 360°
- Tilt Range: +0° / -20°



### CAUTION:

These ceiling mounts are intended for use only with the maximum weight of 175 lbs (79.5kg).

## INSTALLATION INSTRUCTIONS

### Step 1: Use Ceiling Plate to Mark Mounting Hole Locations

- The use of a stud finder is highly recommended.

### Step 2: Mount the Ceiling Plate

#### For Mounting on a Wood Joist (Fig 1)

- Pre-drill four holes into joist using a 3/16" drill bit. Be sure to drill into the center of the joists.
- Insert four Lag Screws into holes through the Ceiling Plate and tighten down.

**WARNING: Tighten screws so that the Ceiling Plate is firmly attached, but do not over tighten. Over tightening can damage the screws, greatly reducing their holding strength.**

- Thread in extension pipe and tighten set screws provided.

- Install Ceiling Plate Covers over ends of Ceiling Plate (optional).

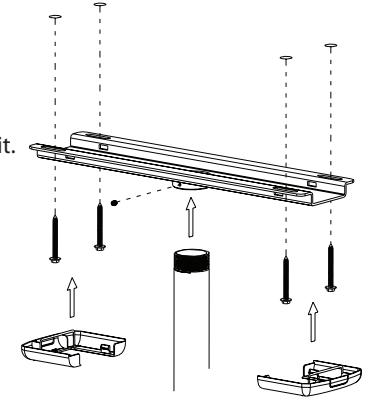


Fig 1

#### For Mounting on a Concrete Ceiling (Fig 2)

Concrete anchors not provided. 5/16" x 2-1/2" Red Head® Hex Sleeve Anchors, #50113, are recommended for concrete or cinder block installation.

- Pre-drill four holes into concrete using 5/16" Masonry bit. Insert Hex Sleeve anchors (not supplied) and tap in with hammer (per instructions with wall anchor).

**WARNING:** When installing Ceiling Plate on cinder block, verify first that you have a minimum of 1-3/8" of concrete thickness to be used for the Concrete Wall Anchors (not supplied). Do not drill into mortar joints! Be sure to mount in a solid part of the block, generally 1" minimum from the side of the block. Cinder block must meet ASTM C-90 specifications. It is suggested that a standard electric drill on slow setting is used to drill the hole instead of a hammer drill to avoid breaking out the back of the hole when entering a void or cavity.

**Concrete must be 2000 psi density minimum. Lighter density concrete may not hold concrete anchor.**

Make sure that the supporting surface will safely support the combined load of the equipment and all attached hardware and components.

- Remove washer and nut from end of bolt from all four bolts. Place Ceiling Plate over bolts so they align with the four holes in Ceiling Plate.

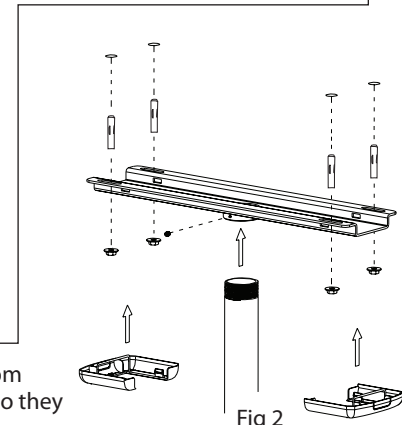


Fig 2