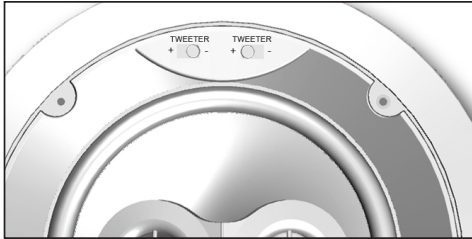


### TREBLE LEVELCONTROL

- After the speaker is installed, please test the speaker using familiar music or content. The 500 series DVC speaker allows you to control the amount of treble. This is convenient in installation areas that have a large amount of reflective surfaces, such as glass, hardwood floors, concrete, etc. Adjust each tweeter independently until the sound is optimized for the environment.
- Carefully insert the grille into the speaker.



### PAINTING

The speaker frame and grill can be painted to match the ceiling color. If it is necessary to paint the frame while installed, the provided paint mask should be used in place of the grille to protect the speaker. Only paint the grill when it has been removed from the speaker.

The grill should be painted with great care taken not to clog the fine holes with paint.

Options of painting are:

- Spray paint ('dust') several thin layers instead of a few thick layers.
- Use a 'dry' brush or roller to minimize the amount of paint applied in each layer.

### TROUBLESHOOTING

Episode speakers are designed to function trouble-free. Most problems that occur are due to simple issues. If you have trouble, please check the list of simple fixes below. If the problem persists, contact Episode Customer Service at 1.866.424.4489.

#### NO SOUND

- Verify that there is audio coming from the source selected. Select another source if necessary.
- Ensure that any power amplifiers are turned on and connected properly.
- Check any connections at other devices, such as a volume control. Temporarily bypass the control if needed.
- Check wire connections at each speaker not producing sound for good contact to bare wire, not wire insulation.

### WARRANTY

#### Limited Lifetime Warranty

Episode in-wall, in-ceiling and bookshelf Speakers have a Lifetime Limited Warranty. This warranty includes parts and labor repairs on all components found to be defective in material or workmanship under normal conditions of use. This warranty shall not apply to products which have been abused, modified or disassembled. Products to be repaired under this warranty must be returned to SnapAV or a designated service center with prior notification and an assigned return authorization number (RA).



## OWNER'S MANUAL

## >> IN-CEILING SPEAKERS

**ES-AW300-ICDVC-6**

**ES-500-ICDVC-6**



Thank you for purchasing a great product from one of the best sounding speaker lines available today, Episode™. We appreciate your purchase and are committed to providing the highest quality products possible.

The Episode in-ceiling models are a superb choice for almost every type of home theater or home audio installation. They have been designed with advanced technological components that allow for high performance and a lifetime of enjoyment.

## EPISODE 300 AND 500 SERIES IN-CEILING DUAL VOICE COIL SPEAKER WITH 6 1/2 IN. WOOFER

### DUAL-VOICE-COIL

It's not always convenient to install two in-ceiling speakers in smaller rooms, but that doesn't mean you can't enjoy stereo sound in small spaces. The 6.5-Inch Dual Voice Coil Stereo In-Ceiling Speaker reproduces both audio channels due to a 2 voice coil woofer and a set of binding posts for each channel. An excellent solution for small rooms, baths, offices and halls, or any place impractical for a stereo pair of speakers. The All-Weather model ES-AW300-ICDVC-6 is designed for outdoor use as well.

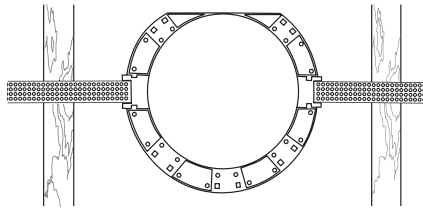
### IMPORTANT INSTRUCTIONS AND CONSIDERATION

- Read and understand all instructions.
- Before beginning installation, carefully plan locations accounting for potential electrical, plumbing or other obstacles.
- Contact a suitable contractor if you are unsure of how to best install.
- Ideal placement is located over the listening position.

### INSTALLATION

#### NEW CONSTRUCTION

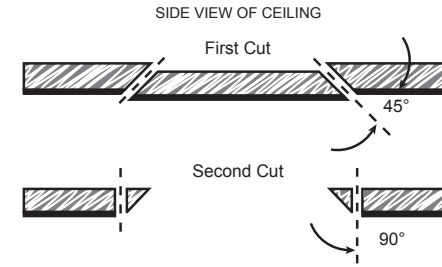
Episode speaker installation can be simplified by using an Episode new construction bracket. This is installed prior to drywall, and allows for precise placement and eases the final installation of the speaker (Sold Separately).



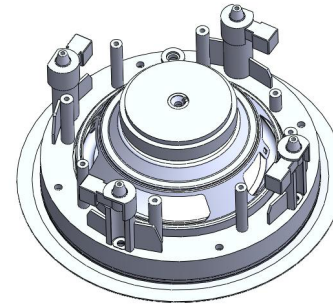
#### EXISTING CONSTRUCTION

Speaker wire must be run from the equipment or volume control location to each potential speaker location.

- Choose a location for each speaker that is free of obstructions created by joists, HVAC ductwork, electrical wire runs, plumbing or anything else that might not allow for the depth of the speaker or create interference or noise.
- Once you have determined your locations, mark the hole to cut out for the speaker using the supplied template. Don't forget to allow for the size of the speaker bezel if you are choosing to install the speaker near a side wall or other item that could become an obstacle.
- If you are unsure of potential obstacles, carefully cut a small hole at an angle to the inside of the template line as illustrated. This will allow you to 'plug' the hole easily if needed. If the area is clear and is a good location for the speaker, go ahead and cut the edges of the opening at 90 degrees to accommodate the speaker diameter.



- Strip the insulation on each conductor approximately 1/4" and insert into the speaker terminals. Ensure that there are no stray strands of wire protruding from the connectors. Observe proper polarity (+ to + and - to - for each speaker and at the amplifier).
- Insert the speaker into the ceiling and tighten each of the four screws for the speakers 'dog' legs enough to clamp the speaker against the ceiling.



**CAUTION: Do not overtighten screws. This could result in speaker damage, ceiling damage or both.**

### OPTIONS

#### PIVOTING TWEETER ASSEMBLY

- The pivoting tweeter assembly can be directed to focus the sound where you want
- Two common options are:
  - Point it directly at the listening area for a more pointed sound source
  - Reflect it off hard surfaces for a more diffused sound field

