

episode®
commercial

engineered by
Snap

Owners Manual

Episode® Commercial
Surface-Mount Loudspeakers



Welcome to Episode®

Thank you for purchasing a great product from one of the best-sounding speaker lines available today, Episode®. We appreciate your purchase and are committed to providing the highest quality products possible.

Episode® Commercial Series Surface-Mount Loudspeakers are a superb choice for installations both indoors and outdoors, and for applications where exposure to moisture or extreme temperatures is expected. They have been designed with advanced technological components that allow for high performance and a lifetime of enjoyment.

Important Installation Instructions and Considerations

- Read and follow all instructions.
- Before beginning installation, carefully plan locations accounting for potential electrical, plumbing or other obstacles.
- Contact a suitable contractor if you are unsure of how to best install.

Speaker Wire

- To connect the speakers to your amplifier, simply connect the “+” lead from your amplifier to the Red 5-way binding post on the loudspeaker and the “-” lead from your amplifier to the Black 5-way binding post on the loudspeaker.

General Guidelines

- Keep speakers approximately 2 feet away from corners and other surfaces that might interfere with or reflect sound, such as tall furniture.
- For rooms less than 300 square feet, two speakers should suffice. The further apart they are, the better the sound will be. Keep the distance at a maximum of 8-10 feet to avoid a “hole” in the middle.
- For rooms larger than 300 square feet, use 3 or more speakers. Stagger them across the space for ideal sound dispersion.

Installation

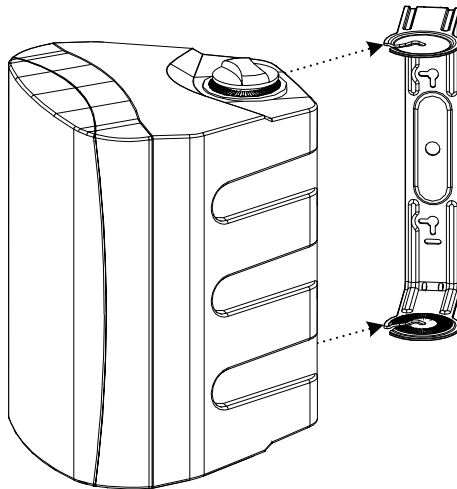
Mounting the Speaker

- When mounting outdoors under an eave facing down, water may collect in the terminal area causing the speaker to short. Precautions will need to be taken if this is the desired mounting method.
- Clearance around the speaker is required for mounting, connecting, and adjusting the angle of the speaker. Mount the U bracket away from walls, eaves, and ceiling with sufficient room to allow for properly mounting the speaker.

U Bracket Installation

The ECS-AW70V series loudspeakers are supplied with a U-shaped wall mounting bracket that can be installed vertically, horizontally or under eaves. Use screws, bolt or anchors (not included) that are capable of supporting at least 50 lbs. This will provide a minimum safety factor of 5x the product weight.

1. Loosen the speaker knobs enough to remove the speaker from the bracket easily.
2. Mount the bracket at the desired location; be sure to allow for clearance so that the speaker can slide into the bracket after mounting.
3. Insert the speaker into the slotted openings in the bracket.



4. Loosely tighten the speaker knobs to hold the speaker in place.
5. Adjust the speaker to the desired orientation and tighten both knobs securely.

Threaded Mounting Screw Installation

The ECS-AW70V is equipped with (2) M6 threaded inserts located on the back of the speaker that can be used for other types of mounting brackets or for a security cable. Make sure to select a bracket/cable capable of supporting the weight of the speaker.

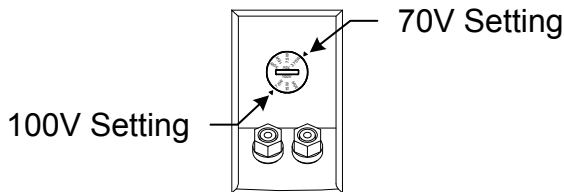
Connections and Calibration

Proper connections are important to the performance of any loudspeaker within an audio system. Performing the following steps will ensure proper connections for optimum speaker performance:

1. At each loudspeaker connection, ensure that the outer jacket is separated by at least 2 inches.
2. Strip the insulation on each conductor approximately $\frac{1}{4}$ " and insert into the speaker terminals.
3. Ensure that there are no stray strands of wire protruding from the connectors.
4. Observe proper polarity (+ to + and – to –) for each speaker and at the amplifier).

Transformer Tap Settings

The ECS-AW70V loudspeakers have an adjustable tap settings knob located above the input terminals on the rear of the loudspeakers. Simply rotate the Tap Settings dial on the rear of the speaker to the desired wattage.



Note Orientation of
Terminals

Verifying Phase

When proper polarity is not maintained, the speakers play at the opposite 'time' from each other, or out of phase. The result is audio with lack of bass and vocals that sound thin or distant. If during or after calibrating your amplifier you suspect the sound is not right and you cannot see any markings on the wire to verify polarity is correct, try this simple test:

1. Sit in the normal listening position for the system.
2. Play some music and listen for the following characteristics.
 - A. Does the bass sound full and even with the other audio?
 - B. Do the vocals sound centered and even in volume?If either of the answers are YES, follow steps 3 and 4 with the other loudspeakers in the system.
3. Turn off your receiver and reverse the connections for one of the speakers.
4. Repeat your test at the same volume level. When the sound has the loudest and best sounding bass, and vocals are centered and clear, your connections are correct and in-phase.

Cleaning

- Use a soft cloth or paper towel with mild detergent to clean the speaker.

Warranty

Limited Lifetime Warranty



Episode® in-wall, in-ceiling and bookshelf Speakers have a Lifetime Limited Warranty. This warranty includes parts and labor repairs on all components found to be defective in material or workmanship under normal conditions of use. This warranty shall not apply to products which have been abused, modified or disassembled. Products to be repaired under this warranty must be returned to SnapAV or a designated service center with prior notification and an assigned return authorization number (RA)

episode®
commercial

engineered by
Snap