



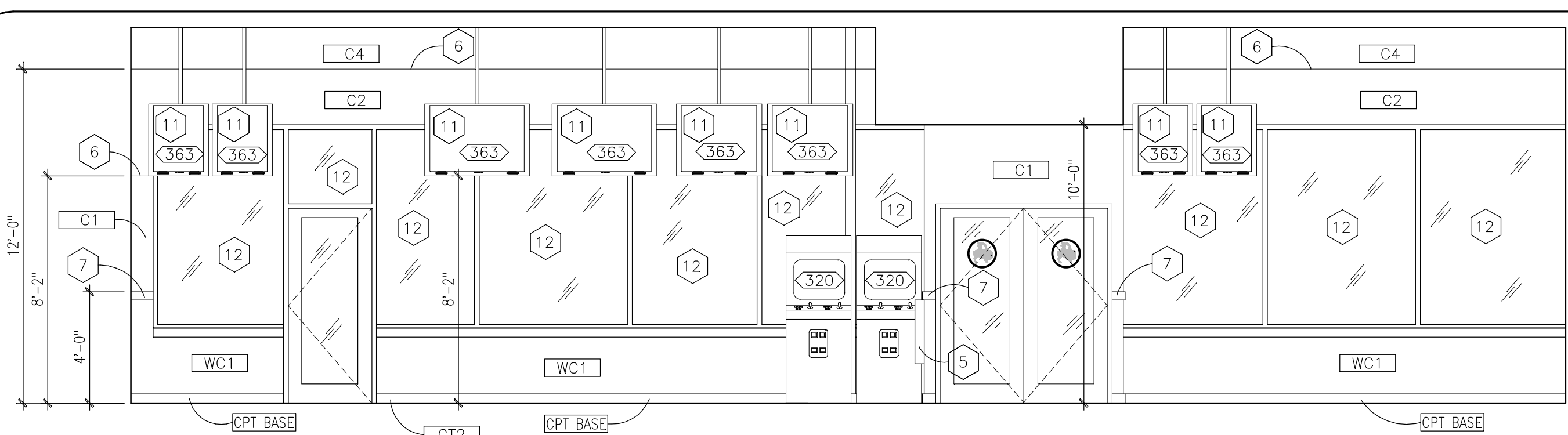
A New Restaurant For:

REVISIONS

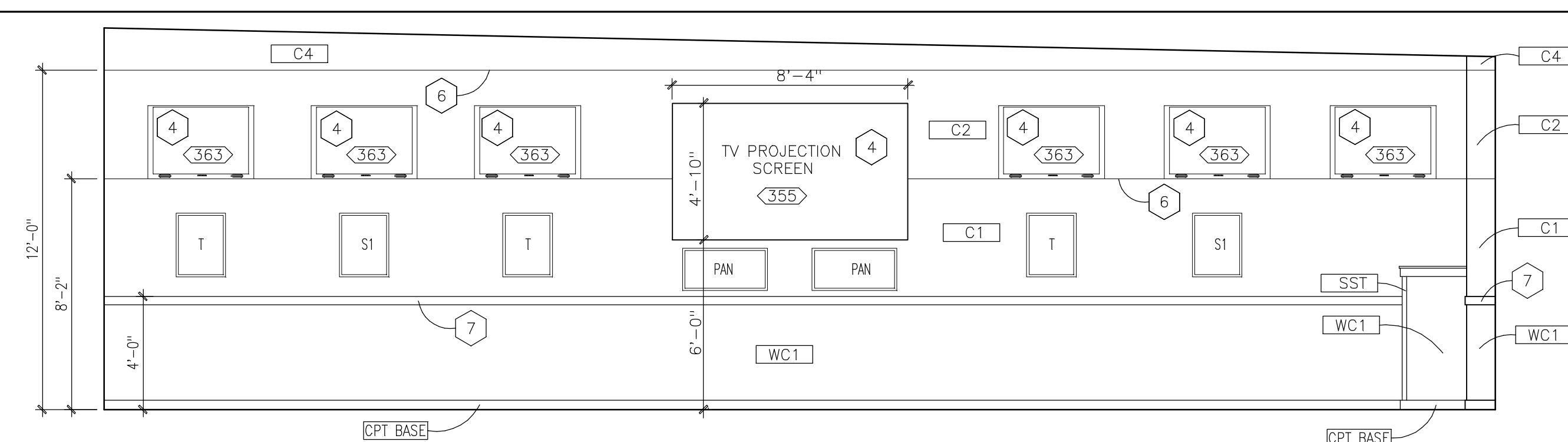
DATE: **8-28-13** PROJECT NO.: **5382**

SHEET TITLE: **Interior Elevations**

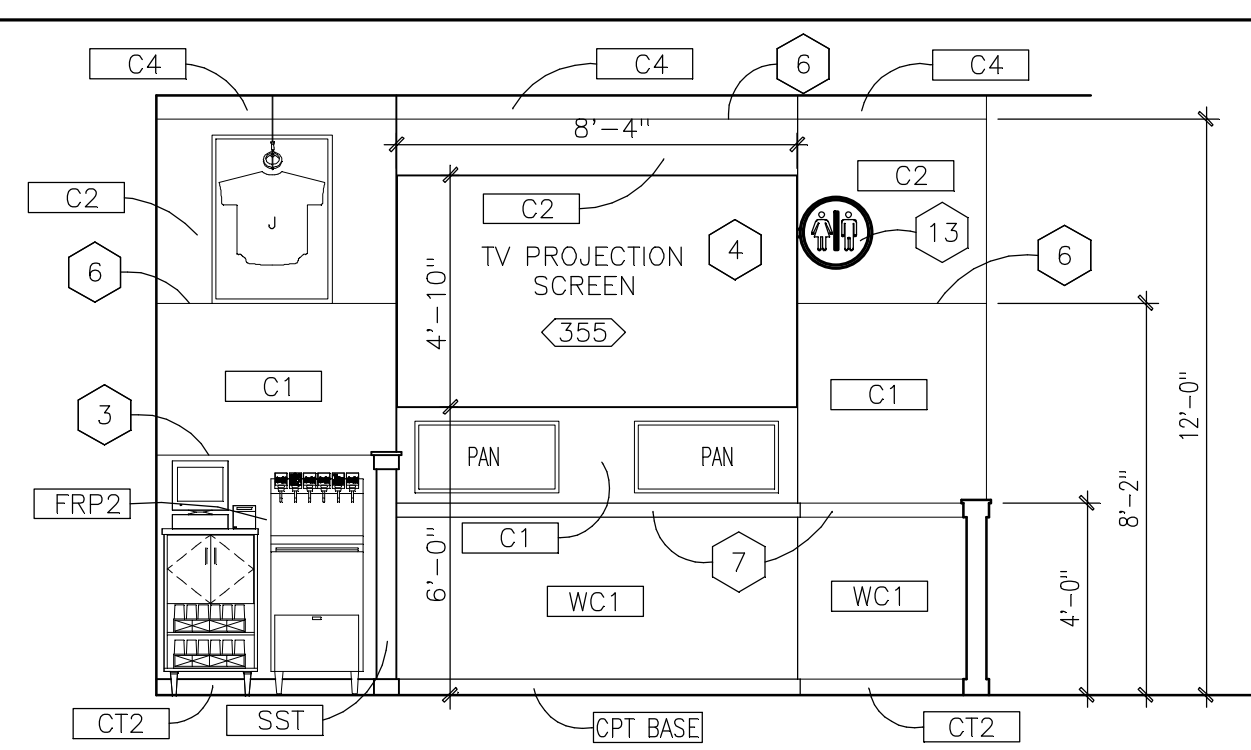
SHEET NO.: **A600**



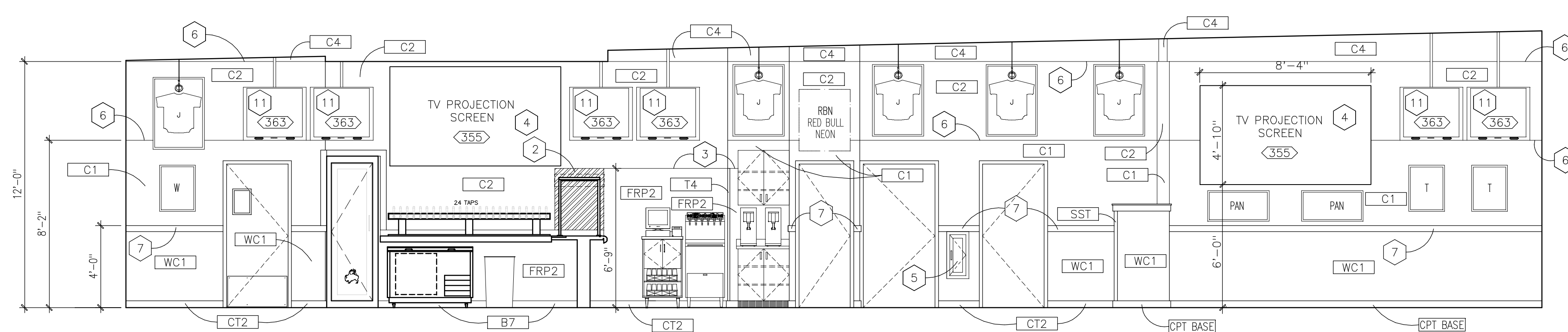
1 DINING "A" / ENTRY / DINING "C"
A600 SCALE 1/4" = 1'-0"



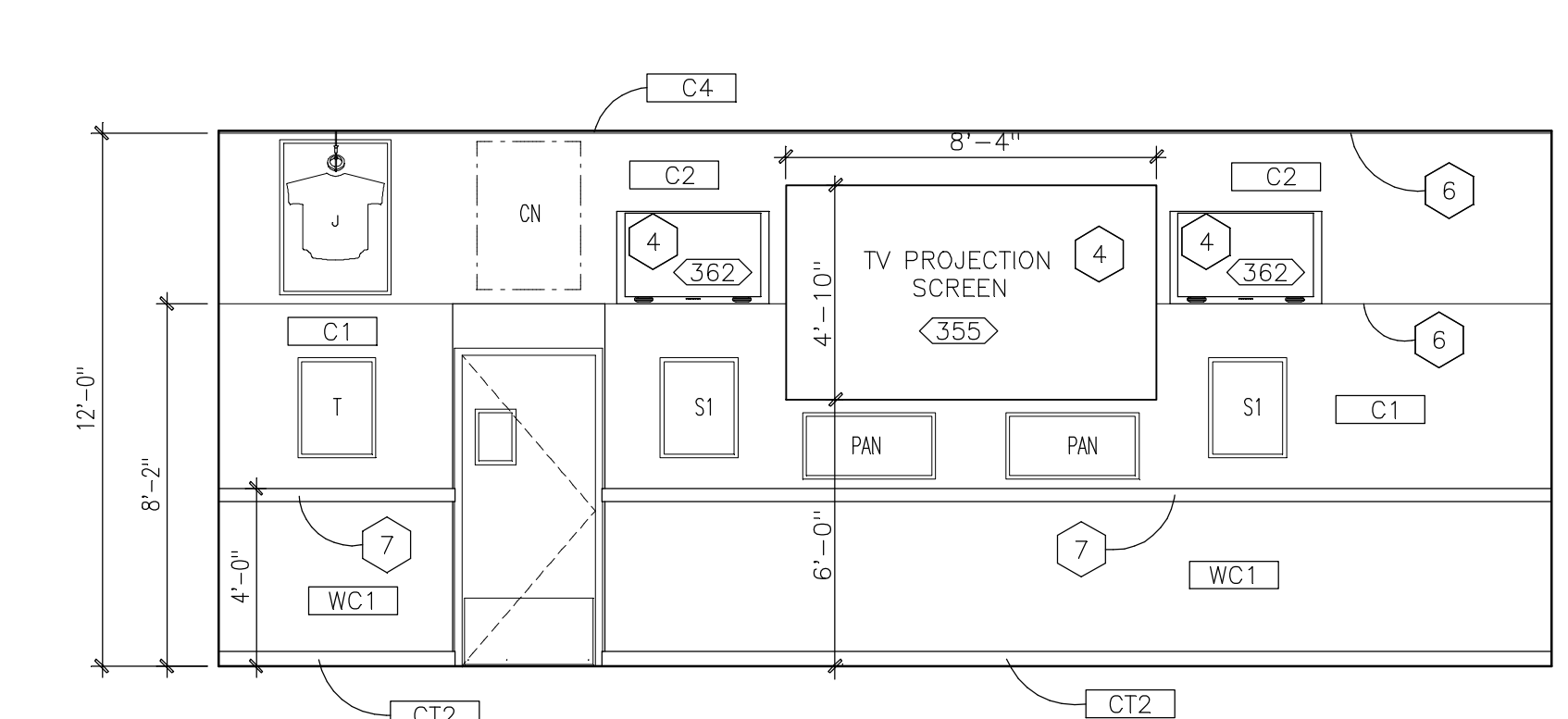
2 DINING "C"
A600 SCALE 1/4" = 1'-0"



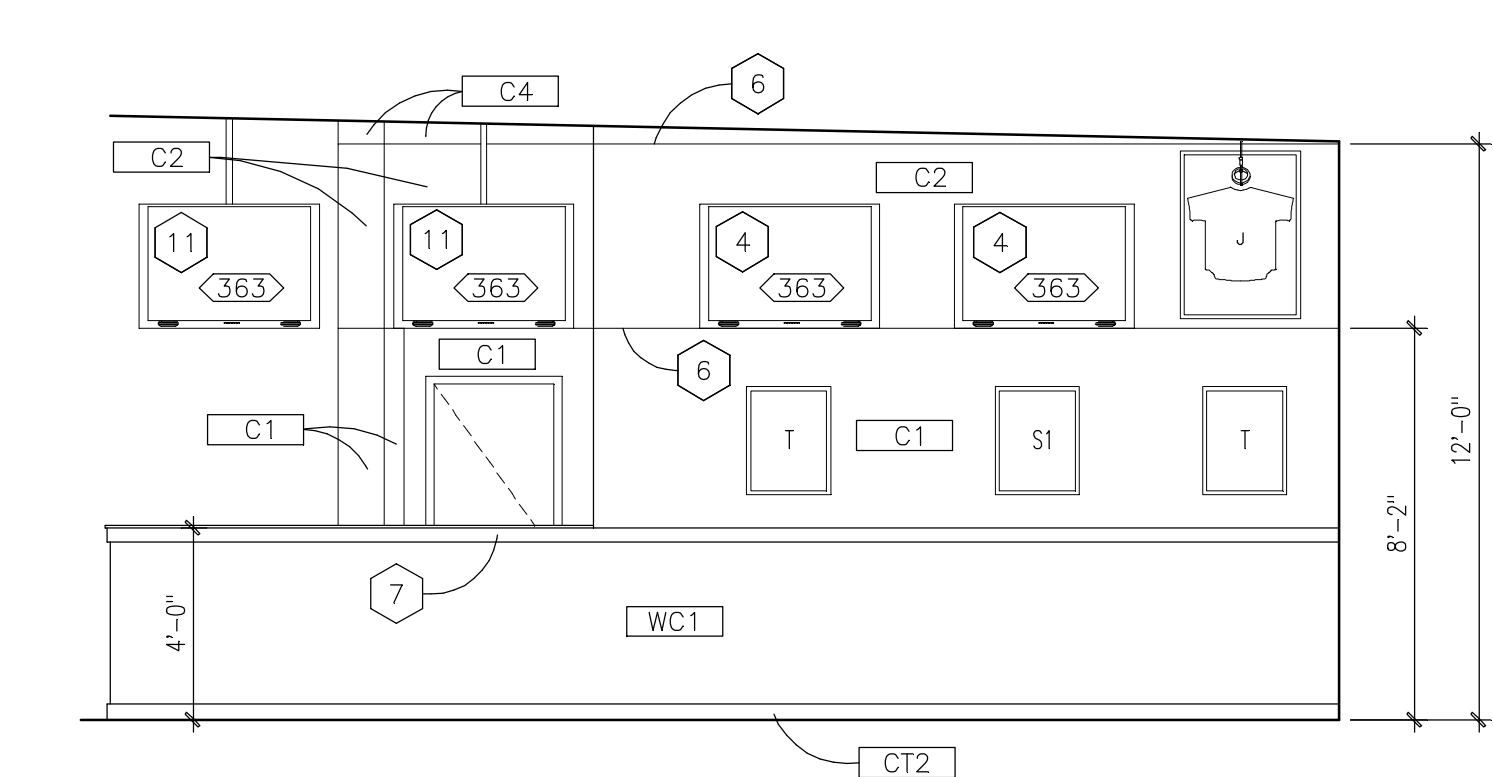
3 DINING "C"
A600 SCALE 1/4" = 1'-0"



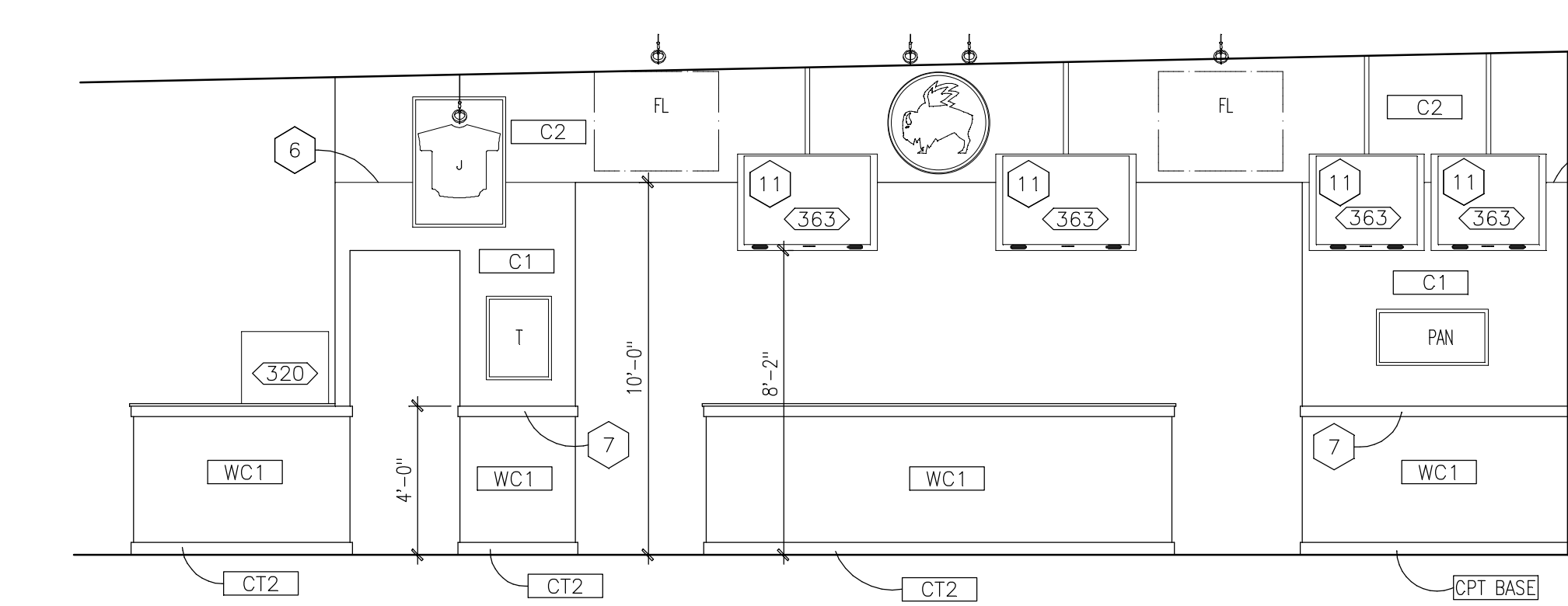
4 DINING "B" / DINING "A"
A600 SCALE 1/4" = 1'-0"



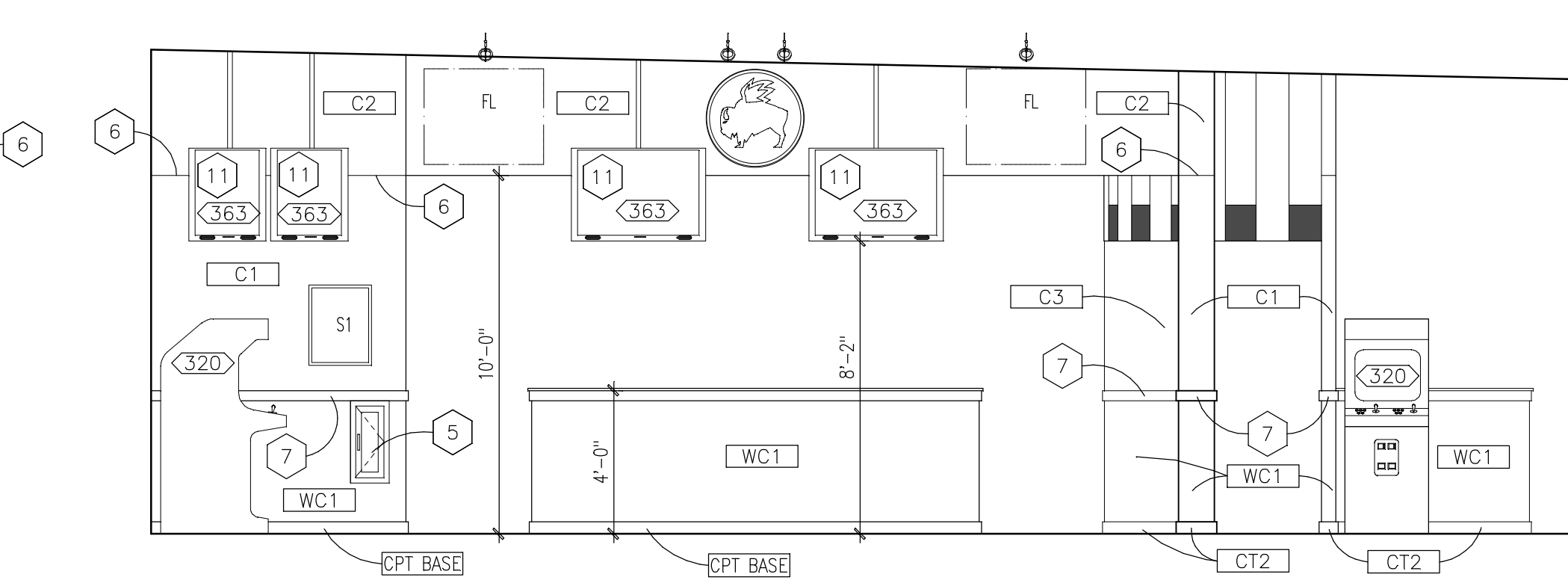
5 DINING "B"
A600 SCALE 1/4" = 1'-0"



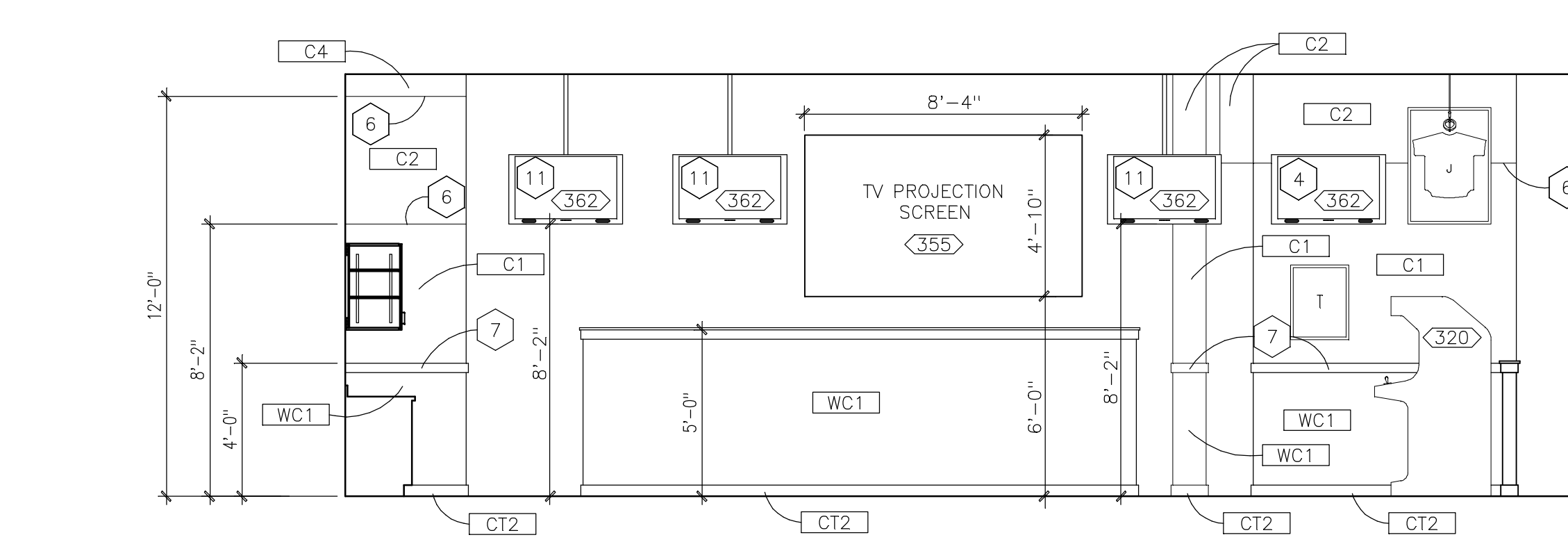
6 DINING "B"
A600 SCALE 1/4" = 1'-0"



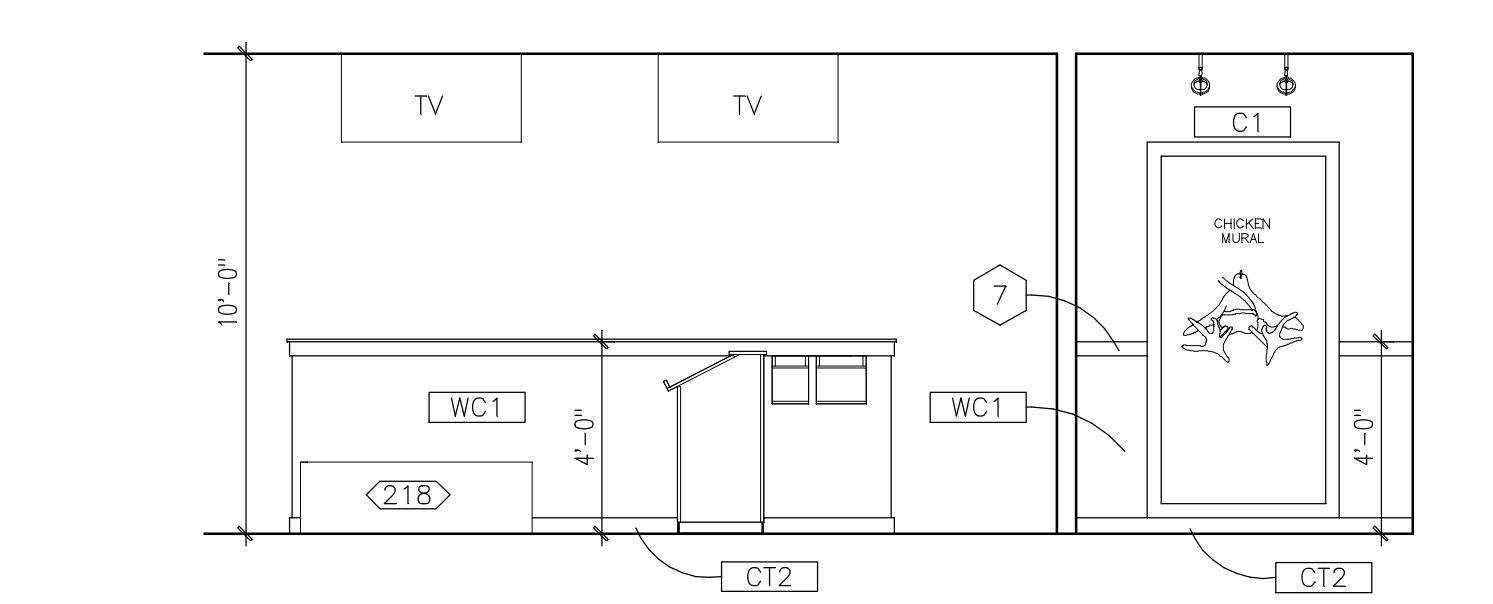
7 DINING "C"
A600 SCALE 1/4" = 1'-0"



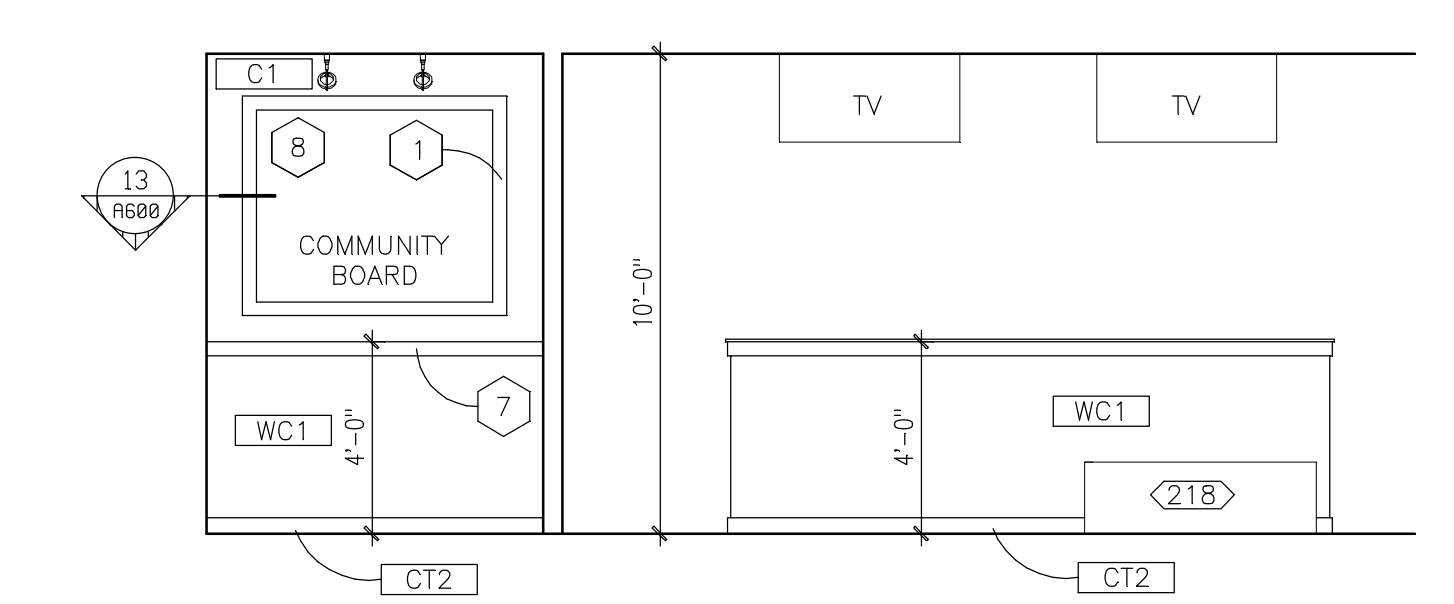
8 DINING "A"
A600 SCALE 1/4" = 1'-0"



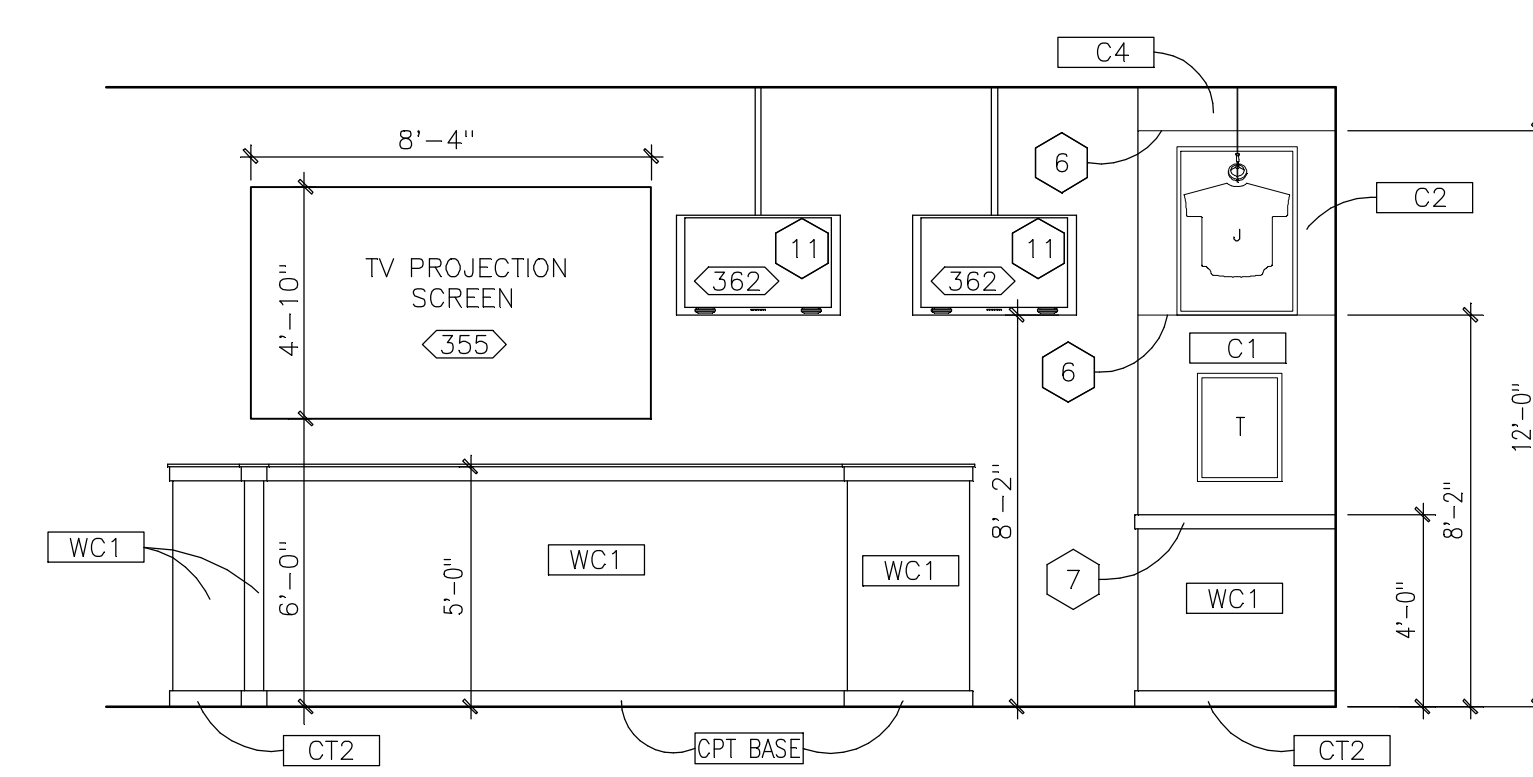
9 DINING "B"
A600 SCALE 1/4" = 1'-0"



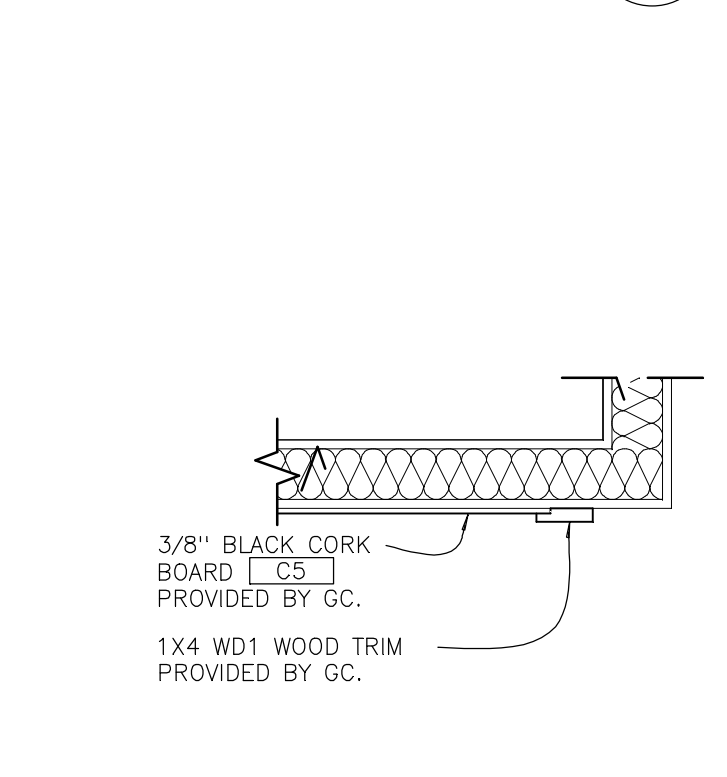
10 ORDERING / QUEUING / ENTRY VESTIBULE
A600 SCALE 1/4" = 1'-0"



11 ENTRY VESTIBULE / QUEUING / ORDERING
A600 SCALE 1/4" = 1'-0"



12 DINING "A"
A600 SCALE 1/4" = 1'-0"



13 COMMUNITY BOARD
A600 SCALE 1" = 1'-0"
NOTE: INSTALL BOARD IN ENTRY

MARK	DESCRIPTION	L.D.	SERIES	COLOR	REMARKS
Finish Schedule					
WALLS					
C1	PAINT		BW - C1	MATCH RL-STEERLE CHASE	COLOR ACCENTS LATEX SATIN
C2	PAINT		SW #5328	FREWEED	SATIN FINISH
C3	PAINT		SW #5335	HONEYCOMB	SATIN FINISH
C4	PAINT		SW #6991	BLACK MAGIC	FLAT FINISH
C5	PAINT		SW #6991	BLACK MAGIC	SATIN FINISH
C6	PAINT		SW #7056	EXTRA WHITE	SATIN FINISH
C7	PAINT		SW #6993	BE	GLOSS FINISH
C8	PAINT		SW #6991	BLACK MAGIC	SEM-GLOSS FINISH
C9	PAINT		SW #7055	ENDURING BRONZE	SEM-GLOSS FINISH, COLOR TO MATCH FACE BRICK (FBR1)
C10	PAINT		SW #6117	"SMOKY" TONED	SEM-GLOSS EPOXY
C11	PAINT		SW #7055	ENDURING BRONZE	SEM-GLOSS EPOXY
C12	PAINT		SW #7056	EXTRA WHITE	SEM-GLOSS EPOXY
C13	PAINT		SW #6998	SOCIAL BUTTERFLY	SATIN, COLOR TO MATCH (EP52)
C14	CLEAR FINISH				ON WOOD DOORS
C16	PAINT		SW #19227	YELLOW	FLA
WC1	LINOLEUM PANELS		REAL	BLACK #2939	PROVIDED BY BW VENDOR - DRAS CASES
FRP1	FIBERGLASS REINFORCED PANELS		GLASBOARD	WHITE	
FRP2	FIBERGLASS REINFORCED PANELS		GLASBOARD	BLACK	

- General Notes**
- EQUIPMENT SCHEDULE AND FURNITURE SCHEDULE, SEE
 - HANDSINK ACCESSORIES SCHEDULE, SEE SHEET EQ1.
 - TRIM AND WALLS ABOVE 13'-6" TO BE PAINTED C4
 - WALLS BETWEEN 8'-2" AND 13'-6" TO BE PAINTED C2
 - WALLS BETWEEN BAND BOARD AND 8'-2" TO BE PAINTED C1
 - POSTERS, MENU BOARDS, FOOD PHOTOS, BUFFALO NEON, BEER VENDOR NEONS, SPORTS DECOR PACKAGE AND BUFFALO CLINGS, PROVIDED BY BWV.
 - WALLCOVERING MURAL, FURNISHED BY BWV, INSTALLED BY GC. GC TO PROVIDE (WD1) WOOD TRIM FRAME.
 - G.C. TO PROVIDE (WD1) WOOD SILL AT ALL WINDOW LOCATIONS. G.C. SHALL FURNISH/INSTALL. G.C. CAN PURCHASE THROUGH MILLWORK VENDOR.

- Key Notes**
- WRAP 1X4 WOOD FRAME (WD1), FURNISHED BY MILLWORK VENDOR, INSTALLED BY G.C. - SEE 13/A600.
 - 18 GA STAINLESS STEEL, PROVIDED BY KITCHEN VENDOR, USE FINISH WASHERS AND FLAT HEAD SCREWS. OVERLAP LIP ON SINK WHERE APPLICABLE.
 - FINISH TRANSITION LINE
 - PROVIDE BLOCKING IN WALL FOR WALL MOUNTED TELEVISIONS.
 - FIRE EXTINGUISHER, COORDINATE LOCATIONS WITH FIRE MARSHAL
 - PAINT TRANSITION LINE
 - WOOD (WD1) CHAIR RAIL, TYPICAL, SEE MIRROR TRIM DETAIL ON SHEET A700.
 - COMMUNITY BOARD, FURNISHED BY MILLWORK VENDOR, INSTALLED BY G.C.
 - NOT USED.
 - NOT USED.
 - TELEVISION POLE MOUNTED TO STRUCTURE ABOVE BY BWV VENDOR - G.C. TO PROVIDE POWER FOR TV AS INDICATED ON ELECTRICAL SHEETS.
 - WINDOW SHADES.
 - BLADE STYLE RESTROOM SIGN, CENTERED OVER OPENING. G.C. TO PROVIDE REQUIRED BLOCKING.

DESIGNATION	DESCRIPTION	PROVIDED BY	INSTALLED BY
J	20 JERSEYS, HIGH SCHOOL, COLLEGE & PROFESSIONAL, HIGH SCHOOL JERSEYS SHOULD BE MOUNTED TOGETHER IN THE MAIN DINING ROOM, COLLEGE JERSEYS IN ONE AREA AT MID-POINT OF THE RESTAURANT BETWEEN BOTH BAR DINING & MAIN DINING ROOMS. PROFESSIONAL JERSEYS SHALL BE MOUNTED IN BAR DINING GROUPED WITH NEONS ASSOCIATED WITH THE SPORT.	BWV	BWV
FL	2 FRAMED FLAGS, STATE & NATIONAL (APPROX. 40"W x 32"H), TYPICALLY MOUNTED AT FRONT OF MAIN DINING ROOM SIDE BY SIDE.	BWV	BWV
PAN	6-8 PANORAMIC PHOTOS. SHALL BE MOUNTED CENTERED BELOW PROJECTOR SCREENS. STADIUM/SPORTS VENUE (BOWL GAME/SUPER BOWL/WORLD SERIES)	BWV	BWV
T	6-8 MISC FRAMED PHOTO/TRIBUTE - EXAMPLES: "ALI-FOREMAN" FIST; BABE RUTH'S 1ST BASEBALL CONTRACT, 1939 MLB HALL OF FAME, KOREEM ABDUL JABBAR HAND & ETC. TRIBUTES OR PHOTOS THAT REFLECT AN ACTUAL SPORTING EVENT.	BWV	BWV
N	12-16 BEER NEONS SIZES: MEDIUM (APPROX. 32"W x 32"H) & SMALL (APPROX: 24" X 24") - ALL NEONS SHALL BE SPORTS THEME TYPE.	BWV	BWV
SFI	SPECIAL FEATURE (CAR HOOD, CAR DOOR OR ETC.) - IF USED.	BWV	BWV
GN	1 COCA-COLA NEON/CO-BRANDED WITH BUFFALO (APPROX. 30"W x 36"H) SHALL BE MOUNTED NEAR HALLWAY LEADING TO KITCHEN.	BWV	BWV
RRN	1 RED BULL NEON (APPROX. 30"W x 36"H) SHALL BE MOUNTED ABOVE PATIO DOORS LEADING TO PATIO.	BWV	BWV
M1	1 TAKEOUT CHICKEN MURAL (48"W x 116"H)	BWV	G.C.
M2	1 MURAL (78"W x 46.5"H)	BWV	G.C.
B	2 BUFFALO CUT-OUTS (APPROX. 60"W x 42"H) TO BE PLACED ON YELLOW PAINTED "ORDERING/TAKEOUT" BACK WALL & RADIUS SOFFIT ABOVE "ORDER COUNTER" FACING DINING ROOMS.	BWV	BWV
BI	BEER POSTER	BWV	BWV
S	6 SAUCE DISPLAY SHELVES (APPROX. 12"W x 12"H) TO BE PLACED ON YELLOW PAINTED "ORDERING/TAKEOUT" BACK WALL (3) STACKING AT EACH SIDE OF BUFFALO CLING.	BWV	BWV
SI	SAUCE POSTER	BWV	BWV
CL1	2 BUFFALO CLINGS (APPROX. 20.5"W x 17"H) TO BE PLACED ON BEER COOLER MERCHANDISERS AT BACK BAR.	BWV	BWV
W	ILLUMINATED 'WE ID' SIGN	BWV	BWV