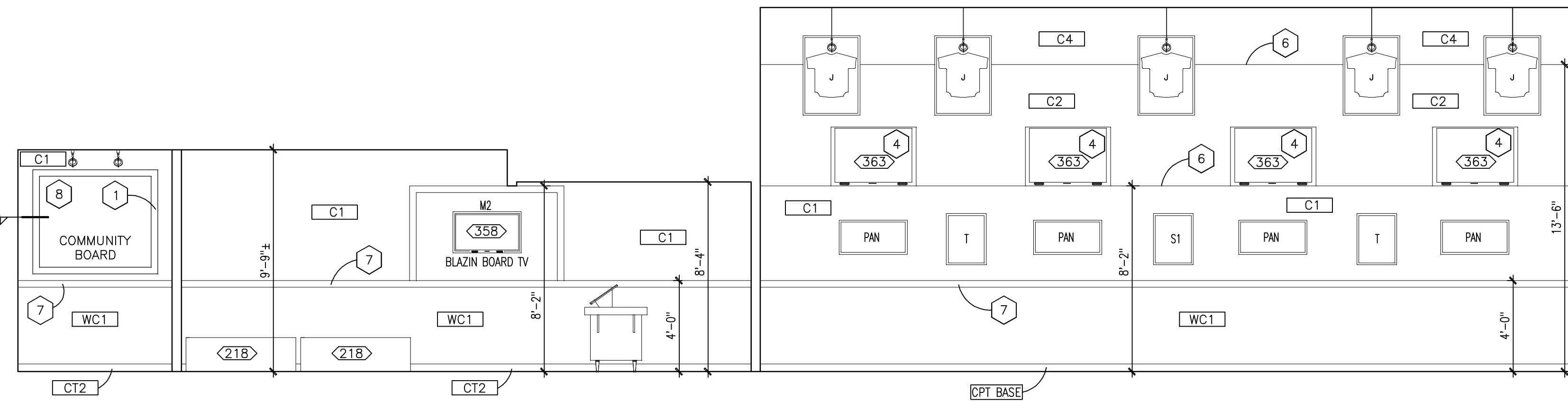
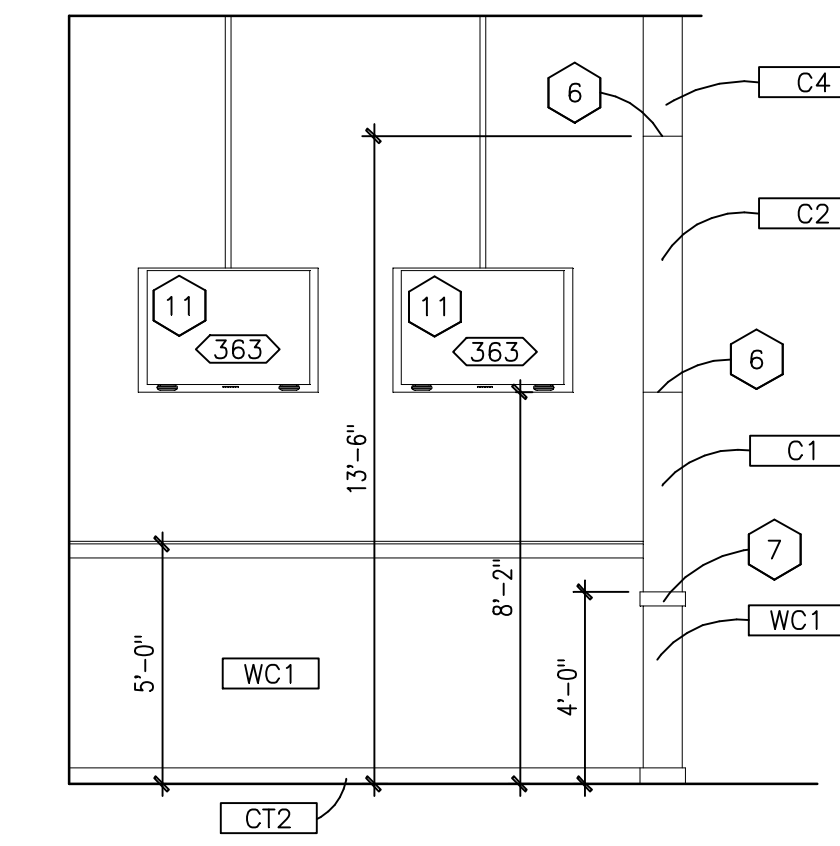


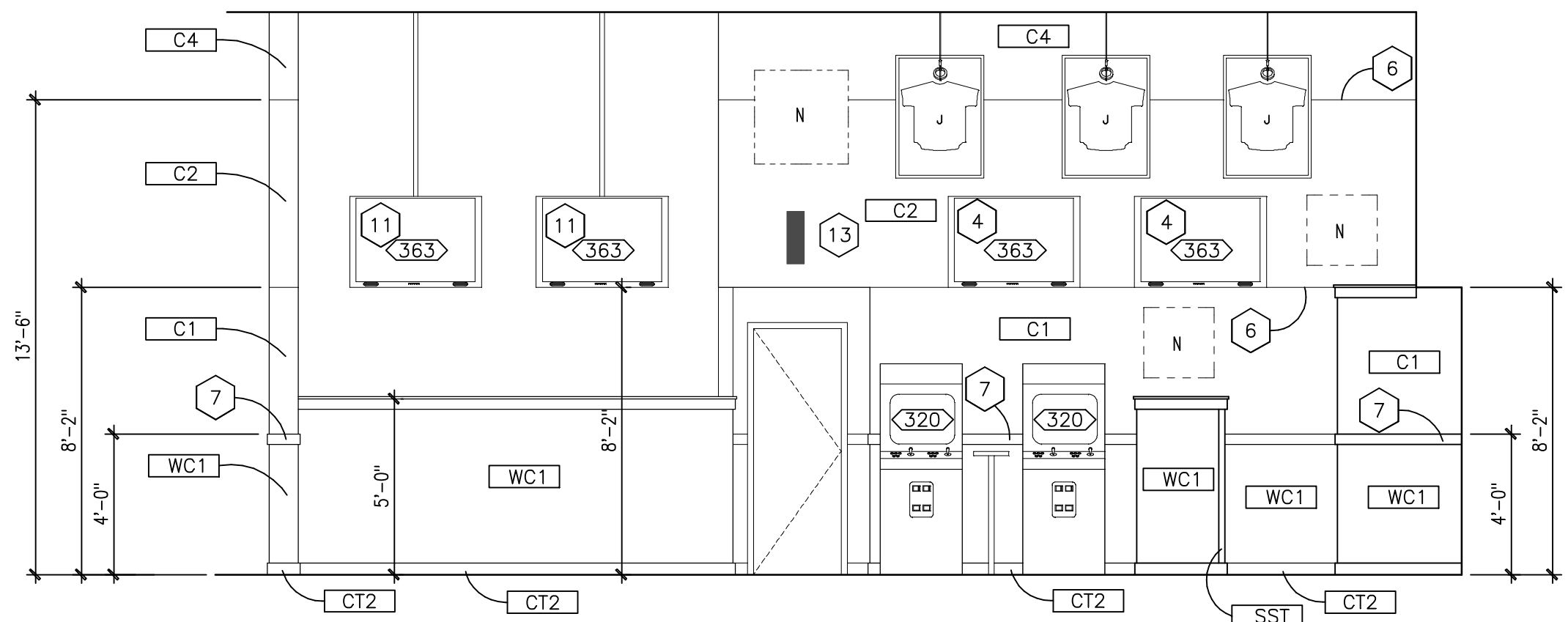
1 DINING "A" / ENTRY
A600 SCALE 1/4" = 1'-0"



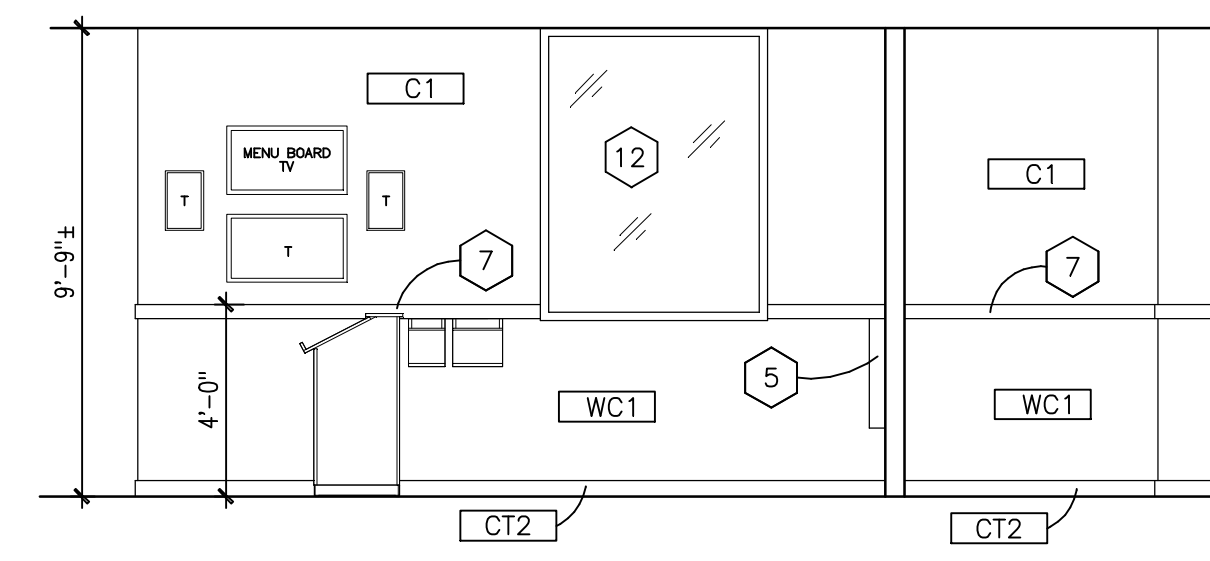
2 ENTRY / QUEUING / ORDERING / POS / DINING "C"
A600 SCALE 1/4" = 1'-0"



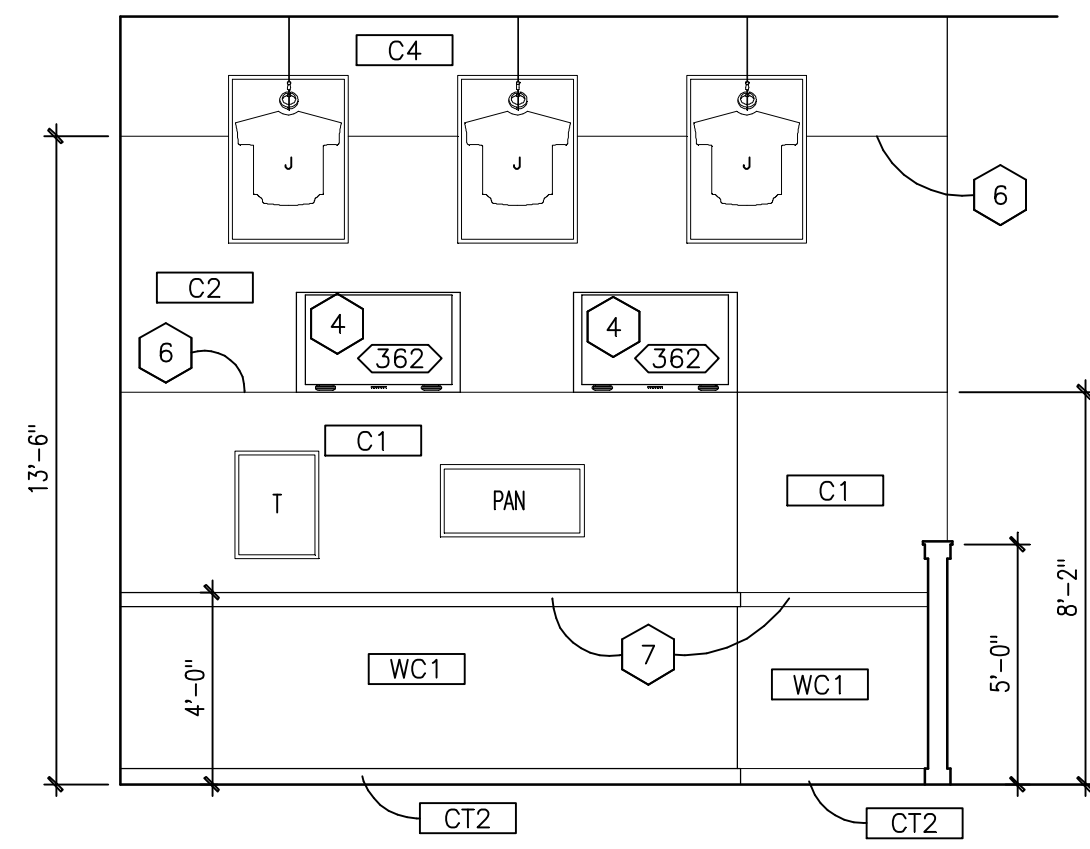
3 DINING "C"
A600 SCALE 1/4" = 1'-0"



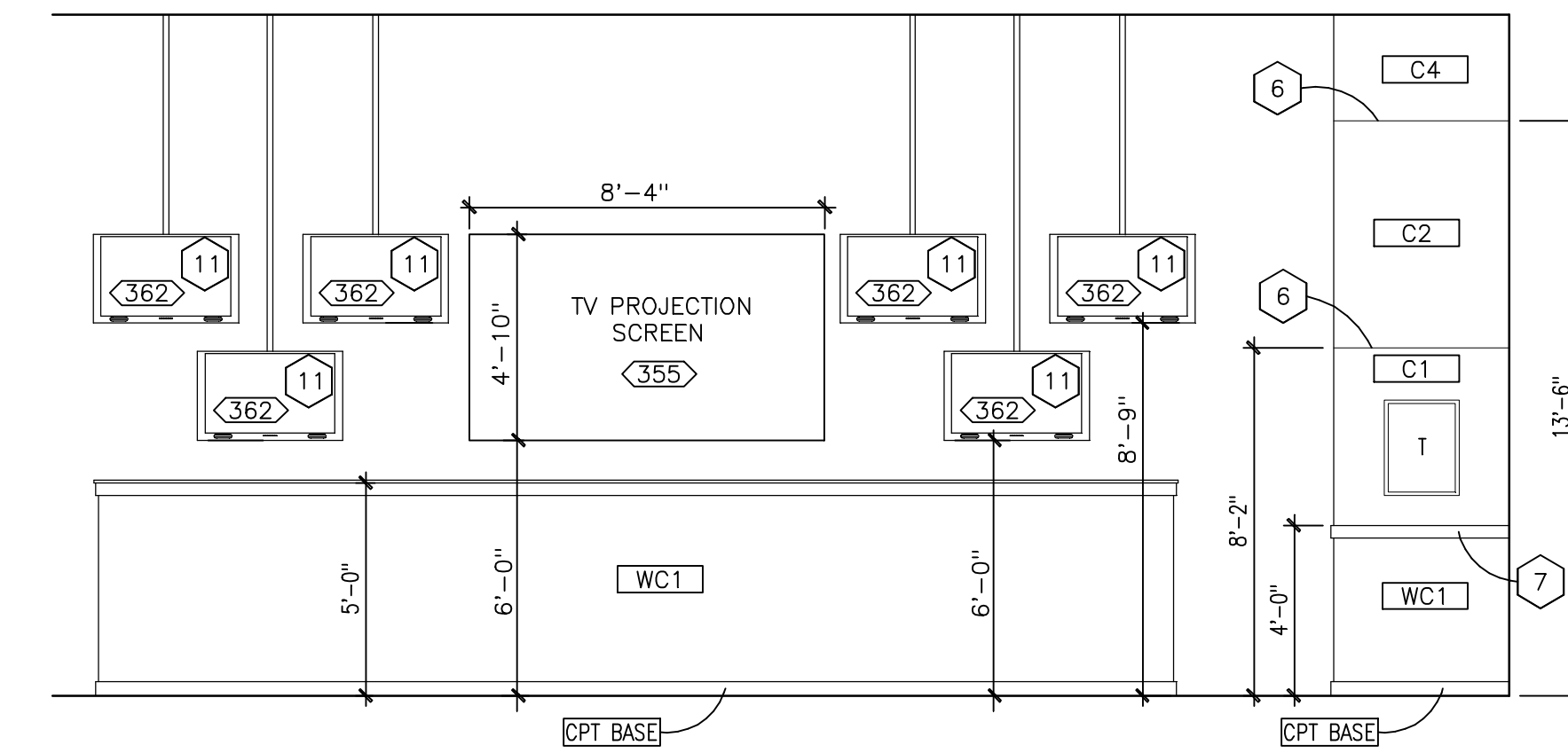
4 DINING "B"
A600 SCALE 1/4" = 1'-0"



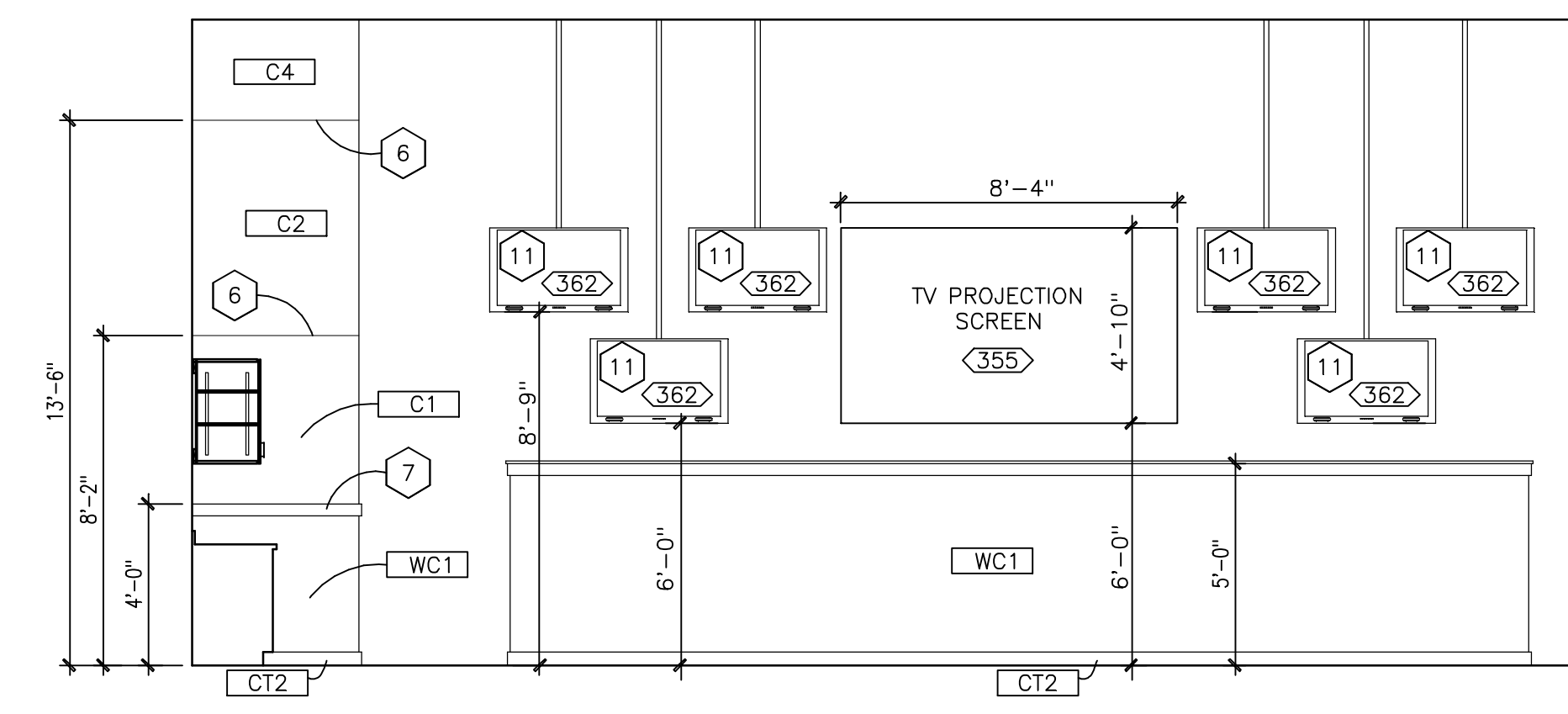
5 QUEUING / ENTRY
A600 SCALE 1/4" = 1'-0"



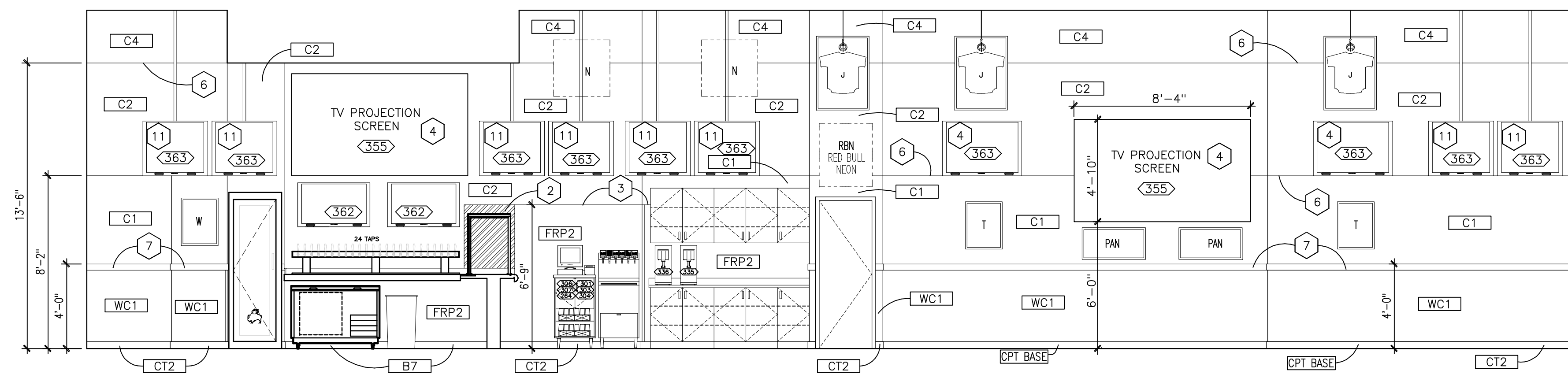
6 DINING "C"
A600 SCALE 1/4" = 1'-0"



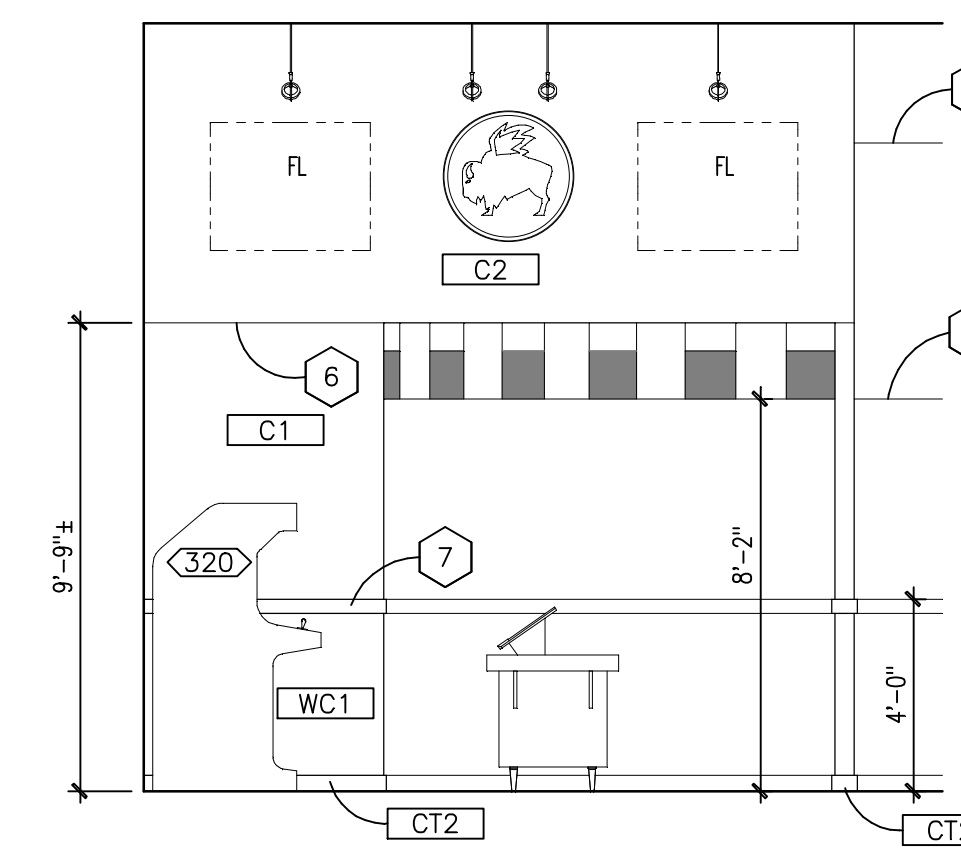
7 DINING "A"
A600 SCALE 1/4" = 1'-0"



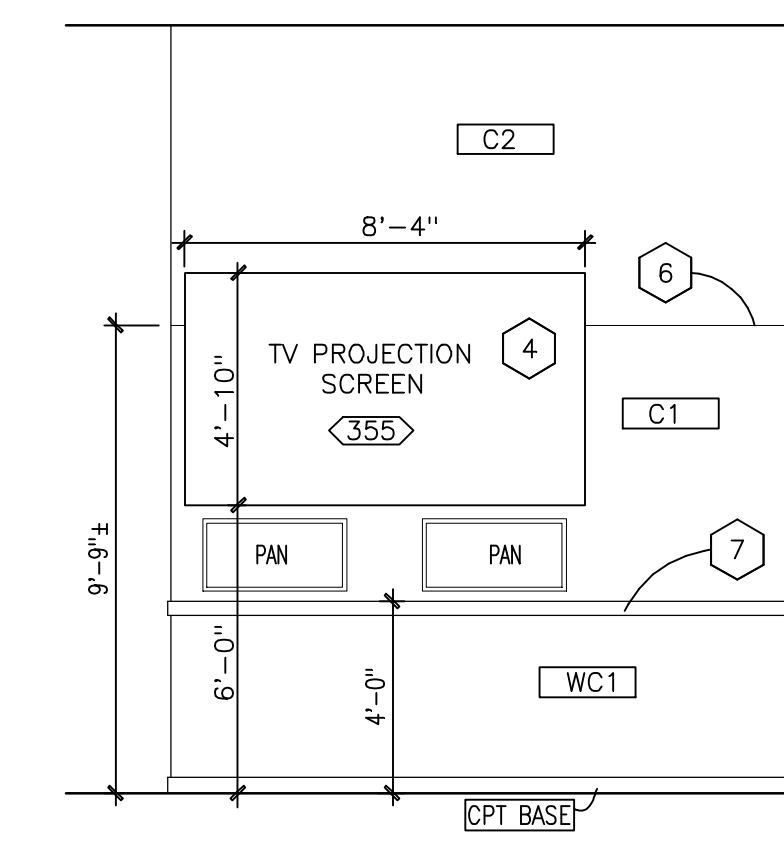
8 DINING "B"
A600 SCALE 1/4" = 1'-0"



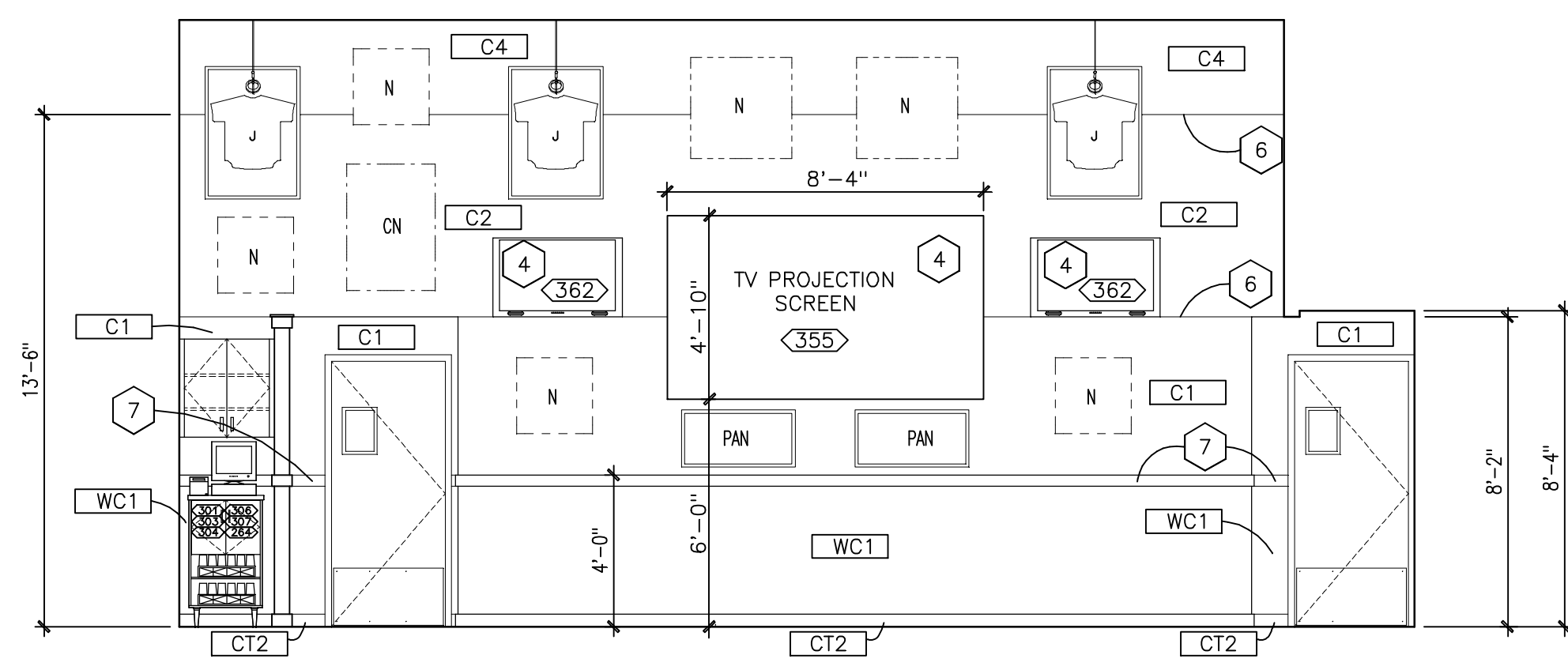
9 BAR / DINING "B" / DINING "A"
A600 SCALE 1/4" = 1'-0"



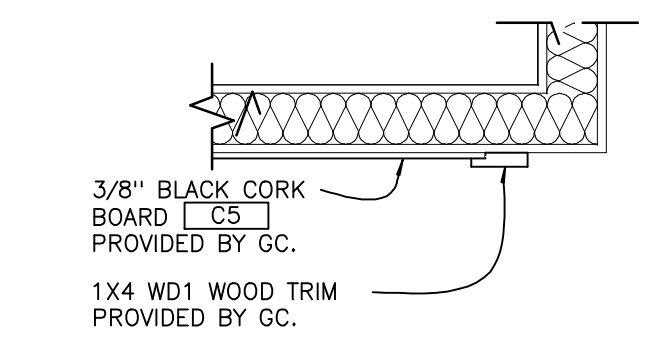
10 DINING "A"
A600 SCALE 1/4" = 1'-0"



11 DINING "C"
A600 SCALE 1/4" = 1'-0"



12 DINING "B"
A600 SCALE 1/4" = 1'-0"



13 COMMUNITY BOARD
A600 SCALE 1" = 1'-0"
NOTE: INSTALL BOARD IN ENTRY

General Notes

- EQUIPMENT SCHEDULE AND FURNITURE SCHEDULE, SEE
- HANDSINK ACCESSORIES SCHEDULE, SEE SHEET EQ1.
- TRIM AND WALLS ABOVE 13'-6" TO BE PAINTED C4
- WALLS BETWEEN 8'-2" AND 13'-6" TO BE PAINTED C2
- WALLS BETWEEN BAND BOARD AND 8'-2" TO BE PAINTED C1
- POSTERS, MENU BOARDS, FOOD PHOTOS, BUFFALO NEON, BEER VENDOR NEONS, SPORTS DECOR PACKAGE AND BUFFALO CLINGS, PROVIDED BY BWV.
- WALLCOVERING MURAL, FURNISHED BY BWV, INSTALLED BY GC. GC TO PROVIDE (WD1) WOOD TRIM FRAME.
- G.C. TO PROVIDE (WD1) WOOD SILL AT ALL WINDOW LOCATIONS. G.C. SHALL FURNISH/INSTALL. G.C. CAN PURCHASE THROUGH MILLWORK VENDOR.

Key Notes

- WRAP 1X4 WOOD FRAME (WD1), FURNISHED BY MILLWORK VENDOR. INSTALLED BY G.C. - SEE 13/A600.
- 18 GA STAINLESS STEEL, PROVIDED BY KITCHEN VENDOR. USE FINISH WASHERS AND FLAT HEAD SCREWS. OVERLAP LIP ON SINK WHERE APPLICABLE.
- FINISH TRANSITION LINE
- PROVIDE BLOCKING IN WALL FOR WALL MOUNTED TELEVISIONS.
- FIRE EXTINGUISHER, COORDINATE LOCATIONS WITH FIRE MARSHAL
- PAINT TRANSITION LINE.
- WOOD (WD1) CHAIR RAIL, TYPICAL, SEE MIRROR TRIM DETAIL ON SHEET A700.
- NOT USED.
- NOT USED.
- TELEVISION POLE MOUNTED TO STRUCTURE ABOVE BY BWV VENDOR - G.C. TO PROVIDE POWER FOR TV AS INDICATED ON ELECTRICAL SHEETS.
- WINDOW SHADES.
- BLADE STYLE RESTROOM SIGN, CENTERED OVER OPENING. G.C. TO PROVIDE REQUIRED BLOCKING.

Decor Legend

DESIGNATION	DESCRIPTION	PROVIDED BY	INSTALLED BY
J	20 JERSEYS, HIGH SCHOOL, COLLEGE & PROFESSIONAL. HIGH SCHOOL JERSEYS SHOULD BE MOUNTED TOGETHER IN THE MAIN DINING ROOM. COLLEGE JERSEYS IN ONE AREA AT MID-POINT OF THE RESTAURANT BETWEEN BOTH BAR DINING & MAIN DINING ROOMS. PROFESSIONAL JERSEYS SHALL BE MOUNTED IN BAR DINING GROUPED WITH NEONS ASSOCIATED WITH THE SPORT.	BWV	BWV
FL	2 FRAMED FLAGS, STATE & NATIONAL (APPROX. 40"W x 32"H) TYPICALLY MOUNTED AT FRONT OF MAIN DINING ROOM SIDE BY SIDE.	BWV	BWV
PN	6-8 PANORAMIC PHOTOS. SHALL BE MOUNTED CENTERED BELOW PROJECTOR SCREENS. STADIUM/SPORTS VENUE (BOWL GAME/SUPER BOWL/WORLD SERIES)	BWV	BWV
T	6-8 MISC FRAMED PHOTO/TRIBUTE - EXAMPLES: "ALI-FOREMAN" FIST; BABE RUTH'S 1ST BASEBALL CONTRACT, 1939 MLB HALL OF FAME, KAREEM ABDUL JABBAR HAND & ETC. TRIBUTES OR PHOTOS THAT REFLECT AN ACTUAL SPORTING EVENT.	BWV	BWV
N	12-16 BEER NEONS SIZES; MEDIUM (APPROX. 32"W x 32"H) & SMALL (APPROX: 24" X 24") - ALL NEON'S SHALL BE SPORTS THEME TYPE.	BWV	BWV
CN	1 COCA-COLA NEON/CO-BRANDED WITH BUFFALO (APPROX. 30"W x 36"H) SHALL BE MOUNTED NEAR HALLWAY LEADING TO KITCHEN.	BWV	BWV
RRN	1 RED BULL NEON (APPROX. 30"W x 36"H) SHALL BE MOUNTED ABOVE PATIO DOORS LEADING TO PATIO.	BWV	BWV
M1	1 TAKEOUT CHICKEN MURAL (48"W x 116"H)	BWV	G.C.
M2	1 MURAL (78"W x 46.5"H)	BWV	G.C.
B	2 BUFFALO CUT-OUTS (APPROX. 60"W x 42"H) TO BE PLACED ON YELLOW PAINTED "ORDERING/TAKEOUT" BACK WALL & RADIUS SOFFIT ABOVE "ORDER COUNTER" FACING DINING ROOMS.	BWV	BWV
BI	BEER POSTER	BWV	BWV
S	6 SAUCE DISPLAY SHELVES (APPROX. 12"W x 12"H) TO BE PLACED ON YELLOW PAINTED "ORDERING/TAKEOUT" BACK WALL (3) STACKING AT EACH SIDE OF BUFFALO CLING.	BWV	BWV
S1	SAUCE POSTER	BWV	BWV
CL1	2 BUFFALO CLINGS (APPROX. 20.5"W x 17"H) TO BE PLACED ON BEER COOLER MERCHANDISERS AT BACK BAR.	BWV	BWV
W	ILLUMINATED "WE ID" SIGN	BWV	BWV

MARK	DESCRIPTION	LD.	SERIES	COLOR	REMARKS
Finish Schedule					
WALLS					
C1	PAINT	BWV	C1	MATCH RL-STEEL/PL CHASE	COLOR ACCENTS LATEX SATIN
C2	PAINT	SW	#6328	FIREWEED	SATIN FINISH
C3	PAINT	SW	#6325	HONEYCOMB	SATIN FINISH
C4	PAINT	SW	#6991	BLACK MAGIC	FLAT FINISH
C5	PAINT	SW	#7206	EXTRA WHITE	SATIN FINISH
C6	PAINT	SW	#7206	EXTRA WHITE	SATIN FINISH
C7	PAINT	SW	#6983	BE	GLOSS FINISH
C8	PAINT	SW	#6991	BLACK MAGIC	SEM-GLOSS FINISH
C9	PAINT	SW	#7205	ENDURING BRONZE	SEM-GLOSS FINISH, COLOR TO MATCH FACE BRICK (FBR1)
C10	PAINT	SW	#6117	"SMOY" TOPAZ	SEM-GLOSS
C11	PAINT	SW	#7205	ENDURING BRONZE	SEM-GLOSS EPOXY
C12	PAINT	SW	#7206	EXTRA WHITE	SEM-GLOSS EPOXY
C13	PAINT	SW	#6988	SOCIAL BUTTERFLY	SATIN, COLOR TO MATCH (EPF2)
C14	CLEAR FINISH				ON WOOD DOORS +
C16	PAINT	SW	#7227	YELLOW	FLAT
WC1	LINOLEUM PANELS	REAL		BLACK #2939	PROVIDED BY BWV VENDOR - DRAS CASES
FRP1	FIBERGLASS REINFORCED PANELS	GLASSBOARD		WHITE	
FRP2	FIBERGLASS REINFORCED PANELS	GLASSBOARD		BLACK	